

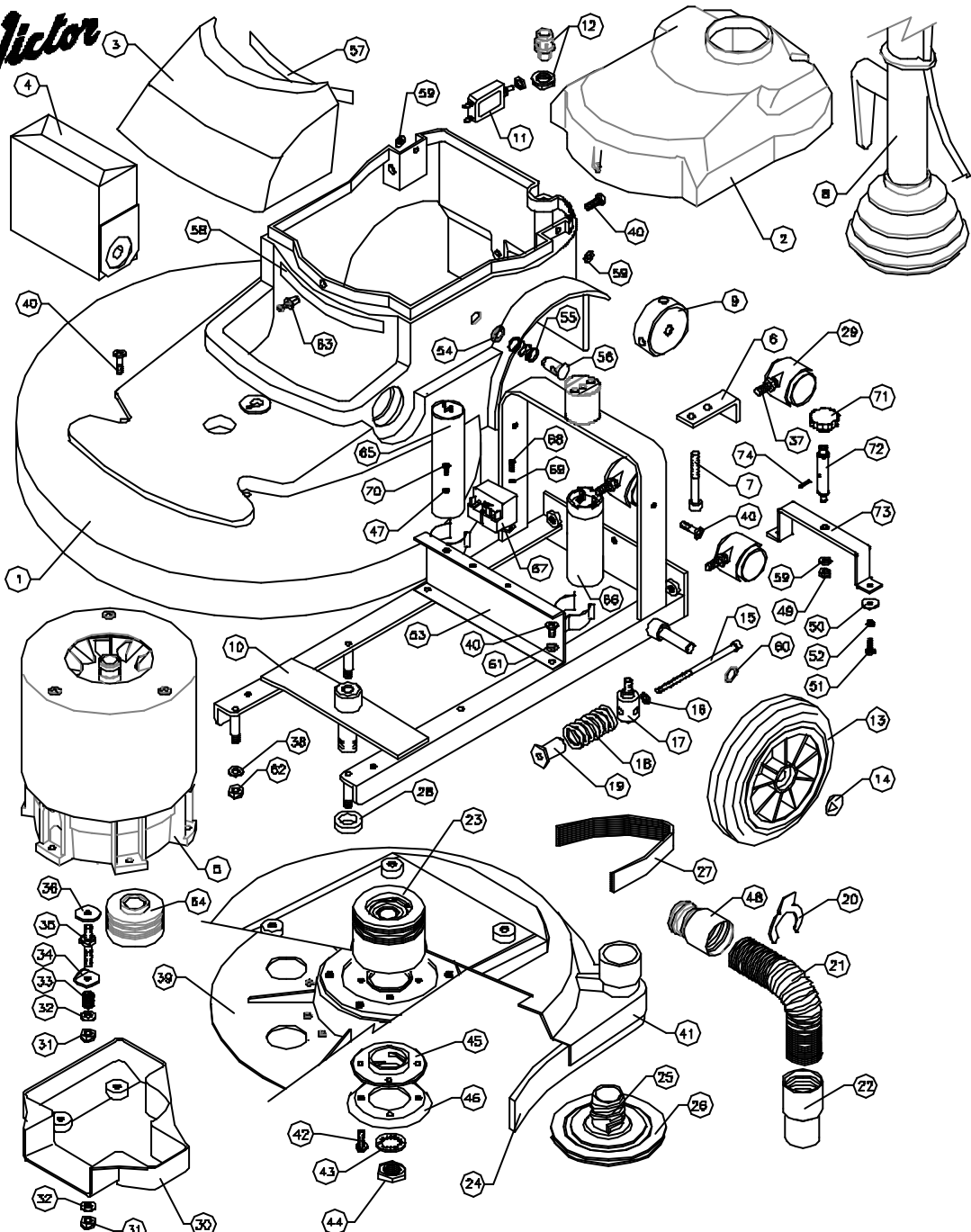
**Victor**



**DOWDING & PLUMMER Ltd.**

CALTHORPE HOUSE, STOCKFIELD ROAD,  
BIRMINGHAM B27 6AP - ENGLAND

TEL: 0121-706-5771 FAX: 0121-708-1052



ITEM	PART No.	QTY.	DESCRIPTION	ITEM	PART No.	QTY.	DESCRIPTION
1	C1851/L/C	1	BODY MouldING	59	M5W	3	M5 x 14 Q/D PLAIN WASHER
2	C1726	1	TOP MOTOR COVER	60	SBI3866	2	WAVEY WASHER - PLW4
3	C1397	1	FRONT DUST BAG COVER	61	M6WSH	2	M6 SHAKEPROOF WASHER
4	C1456	1	DUST BAG	62	M8NSB	4	M8 NUT - BINX
5	ATM2185	1	MOTOR ASSEMBLY	63	SBI6039	1	SCRIVET
6	C1801	1	BACK BRACKET	64	C1807	1	MOTOR PULLEY #52 JB
7	MBX705C	2	SOCKET SCREW MBx70mm	65	SBI8056	1	30MFD RUN CAPACITOR
8	AYH1283	1	HANDLE ASSEMBLY	66	SBI5226	1	125MFD START CAPACITOR
9	C1399	1	SELECTOR PIVOT	67	SBI3958	1	2CR4-256 START RELAY
10	C1787	1	WELDED FRAME	68	MSX165P	2	MSX16 POZIPAN HEAD SCREW
11	SBI5500	1	CIRCUIT BREAKER 12AMP.	69	M3WSP	2	M3 SPRING WASHER
12	SBI5833	1	CABLE GLAND M16	70	MAX105PB	1	MAX10 POZIPAN HEAD SCREW BRASS
13	SBI610/NT	2	WHEEL #200 REINFORCED-BLACK	71	SBI6388	1	M8 HAND KNOB
14	SBI3005/A	2	SPRING CAP 1/2"	72	DQ223	1	SKIRT LIFTER BAR
15	M6X1256C	1	SOCKET CAP SCREW M6 x 125mm	73	DQ220	1	SKIRT LIFTER BRACKET
16	11-4X3-4W	1	1/4" 1/D x 3/4" D/D WASHER	74	SBI3450	1	3/32" x 3/4" SLEOCK PIN
17	A2D64	1	MOTOR PILLAR STUD				
18	A1850	1	SPRING #30 x 50				
19	A1866	1	SPRING RETAINER				
20	C1391	1	HOSE CLIP				
21	SBI6136/F	1	STRETCH HOSE				
22	SBI5668	1	HOSE END 32mm - BLACK				
23	AYP1036	1	480mm x 75mm DRIVE PULLEY ASSY.				
24	C4004/C	1	DIFFUSER FLOOR SEAL				
25	B1163	1	PAD RETAINER				
26	A1B42	1	POLYETHYLENE WASHER				
27	SBI5829	1	DRIVE BELT 340 JB				
28	A2D62	1	PULLEY SPACER				
29	SBI8529	3	#40 TWIN PLASTIC WHEEL CASTER				
30	C1398	1	DRIVE BELT GUARD				
31	M8NSB	6	M8 NUT - BINX				
32	M8W	7	M8 PLAIN WASHER				
33	A2132	3	SPRING #14 x 15				
34	A2D69	3	FOLDED WASHER				
35	A2D68	3	MOTOR STUD				
36	A1378	4	PLAIN WASHER #30x#8x2.5				
37	SBI8537	3	M8 x 15 CASTOR STEM				
38	M8W	4	M8 PLAIN WASHER				
39	AYD101B	1	17" DRIVE PLATE ASSY.				
40	M6X10SP	7	M6 x 10 SCREW - POZIPAN				
41	C1806/L	1	SKIRT ASSEMBLY				
42	MBX20PPTT	4	M6 x 20 SCREW - TAPRITE				
43	M20WSP	1	M20 SPRING WASHER				
44	M20NH	1	M20 HALF NUT				
45	B1164	1	RETAINER NUT				
46	A1882	1	REINFORCING RING				
47	M4WB	1	M4 PLAIN WASHER BRASS				
48	B1367/BL	1	SWIVEL END INNER - BLACK				
49	M8NSB	1	M8 NUT - BINX				
50	M5W	2	M5 x 19 Q/D PLAIN WASHER				
51	MSX105P	2	M5 x 10 SCREW - POZIPAN				
52	M3WSP	2	M3 SPRING WASHER				
53	C1703	1	CAPACITOR MOUNTING BRACKET				
54	A1844	1	FIXING WASHER - #10mm				
55	A1820	1	SPRING #17 x 25				
56	A1845	1	ANCHOR PIN (15mm) PLASTIC				
57	SBI6328	1	HOOK STRIP				
58	SBI6327	1	LOOP STRIP				

WHEN ORDERING PLEASE QUOTE PART No. AND PART DESCRIPTION

VR-L17 LYNX 17 DRIVE ASSEMBLY 240V