

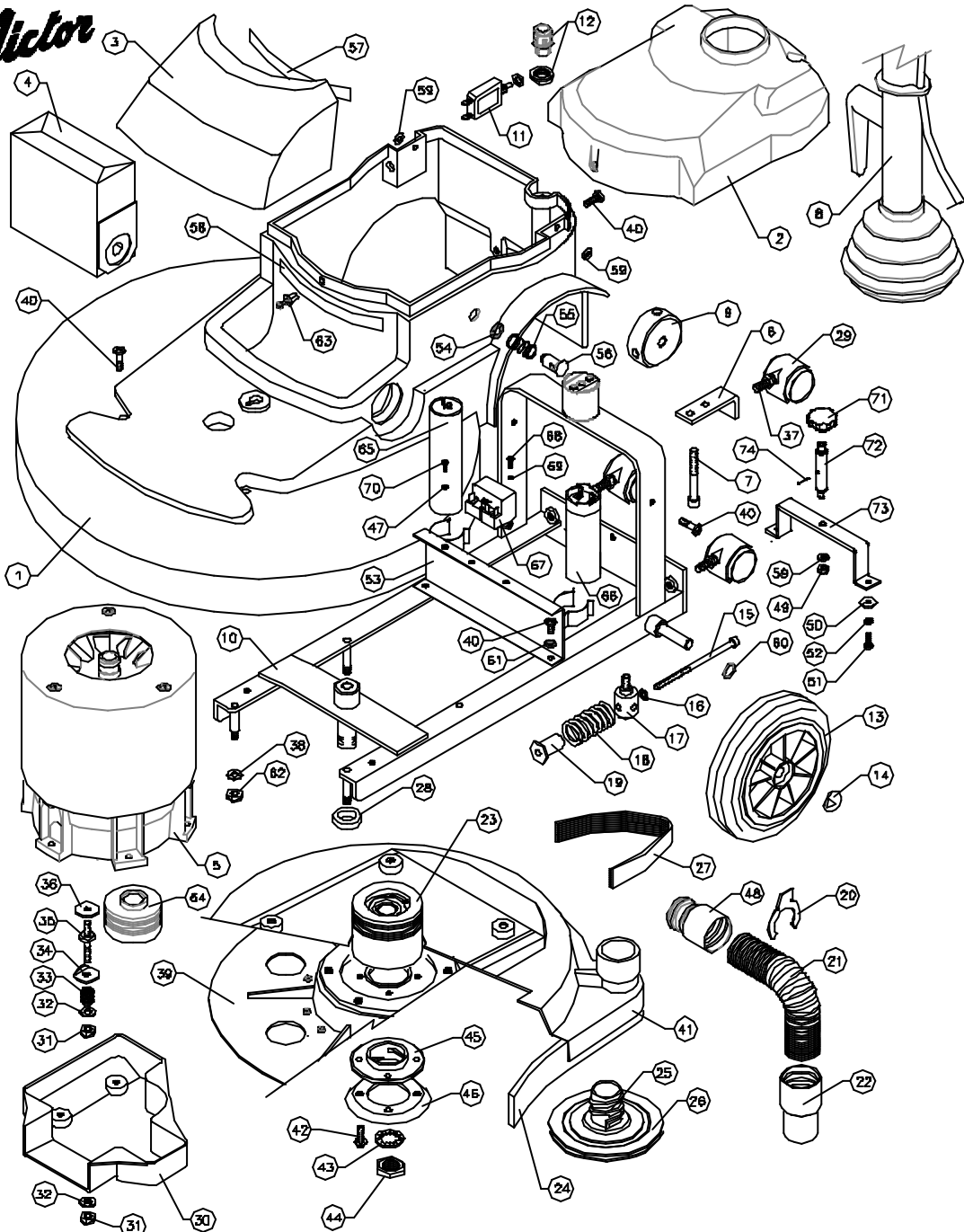
**Victor**



**DOWDING & PLUMMER Ltd.**

CALTHORPE HOUSE, STOCKFIELD ROAD,  
BIRMINGHAM B27 6AP - ENGLAND

TEL: 0121-706-5771 FAX: 0121-708-1052



ITEM	PART No.	QTY.	DESCRIPTION	ITEM	PART No.	QTY.	DESCRIPTION
1	C1786/L/C	1	BODY Moulding	59	M5W	3	M5 x 14 O/D PLAIN WASHER
2	C1726	1	TOP MOTOR COVER	60	SB13686	2	WAVEY WASHER - PLW4
3	C1367	1	FRONT DUST BAG COVER	61	M6WSH	2	M6 SHAKEPROOF WASHER
4	C1456	1	DUST BAG	62	M6NSE	4	M6 NUT - BINX
5	ATM2105	1	MOTOR ASSEMBLY	63	SB16039	1	SCRIVET
6	C1801	1	BACK BRACKET	64	C1807	1	MOTOR PULLEY #52 JB
7	M8X709C	2	SOCKET SCREW M8x70mm	65	SB19056	1	30MFD RUN CAPACITOR
8	AH1293	1	HANDLE ASSEMBLY	66	SB16226	1	125MFD START CAPACITOR
9	C1399	1	SELECTOR PIVOT	67	SB13985	1	2CR4-256 START RELAY
10	C1787	1	WELDED FRAME	68	M5X16SP	2	M5X16 POZIPAN HEAD SCREW
11	SB15500	1	CIRCUIT BREAKER 12AMP.	69	M3WSP	2	M3 SPRING WASHER
12	SB15633	1	CABLE GLAND M16	70	M4X10SPB	1	M4X10 POZIPAN HEAD SCREW BRASS
13	SB16101/NT	2	WHEEL #200 REINFORCED-BLACK	71	SB16398	1	M6 HAND KNOB
14	SB13003/A	2	SPRING CAP 1/2"	72	DQ223	1	SKIRT LIFTER BAR
15	M8X1256C	1	SOCKET CAP SCREW M6 x 125mm	73	DQ220	1	SKIRT LIFTER BRACKET
16	11-4X3-4W	1	1/4" I/D x 3/4" O/D WASHER	74	SB1436D	1	3/32" x 3/4" SELLOCK PIN
17	A2064	1	MOTOR PILLAR STUD				
18	A1850	1	SPRING #30 x 50				
19	A1865	1	SPRING RETAINER				
20	C1381	1	HOSE CLIP				
21	SB16136/F	1	STRETCH HOSE				
22	SB15668	1	HOSE END 32mm - BLACK				
23	AYP1036	1	#80mm x 75mm DRIVE PULLEY ASSY.				
24	C4004/E	1	DIFFUSER FLOOR SEAL				
25	B1163	1	PAD RETAINER				
26	A1842	1	POLYETHYLENE WASHER				
27	SB15829	1	DRIVE BELT 340 JB				
28	A2062	1	PULLEY SPACER				
29	SB16529	3	#40 TWIN PLASTIC WHEEL CASTOR				
30	C1398	1	DRIVE BELT GUARD				
31	M6NSE	6	M6 NUT - BINX				
32	M6W	7	M6 PLAIN WASHER				
33	A2132	3	SPRING #14 x 15				
34	A2069	3	FOLDED WASHER				
35	A2068	3	MOTOR STUD				
36	A1378	4	PLAIN WASHER #30x#2.5				
37	SB15537	3	M8 x 15 CASTOR STEM				
38	M6W	4	M6 PLAIN WASHER				
39	AVD100B	1	20" DRIVE PLATE ASSY.				
40	M8X10SP	7	M8 x 10 SCREW - POZIPAN				
41	C1788/L	1	SKIRT ASSEMBLY				
42	M8X20PPTT	4	M8 x 20 SCREW - TAPTITE				
43	M20WSP	1	M20 SPRING WASHER				
44	M20NH	1	M20 HALF NUT				
45	B1184	1	RETAINER NUT				
46	A1882	1	REINFORCING RING				
47	M4WB	1	M4 PLAIN WASHER BRASS				
48	B1367/BL	1	SWIVEL END INNER - BLACK				
49	M6NSE	1	M6 NUT - BINX				
50	M5W	2	M5 x 19 O/D PLAIN WASHER				
51	M5X10SP	2	M5 x 10 SCREW - POZIPAN				
52	M5WSP	2	M5 SPRING WASHER				
53	C1703	1	CAPACITOR MOUNTING BRACKET				
54	A1844	1	FIXING WASHER - #10mm				
55	A1620	1	SPRING #17 x 25				
56	A1845	1	ANCHOR PIN (15mm) PLASTIC				
57	SB16328	1	HOOK STRIP				
58	SB16327	1	LOOP STRIP				

WHEN ORDERING PLEASE QUOTE PART No. AND PART DESCRIPTION

VR-L20 LYNX 20 DRIVE ASSEMBLY 240V