

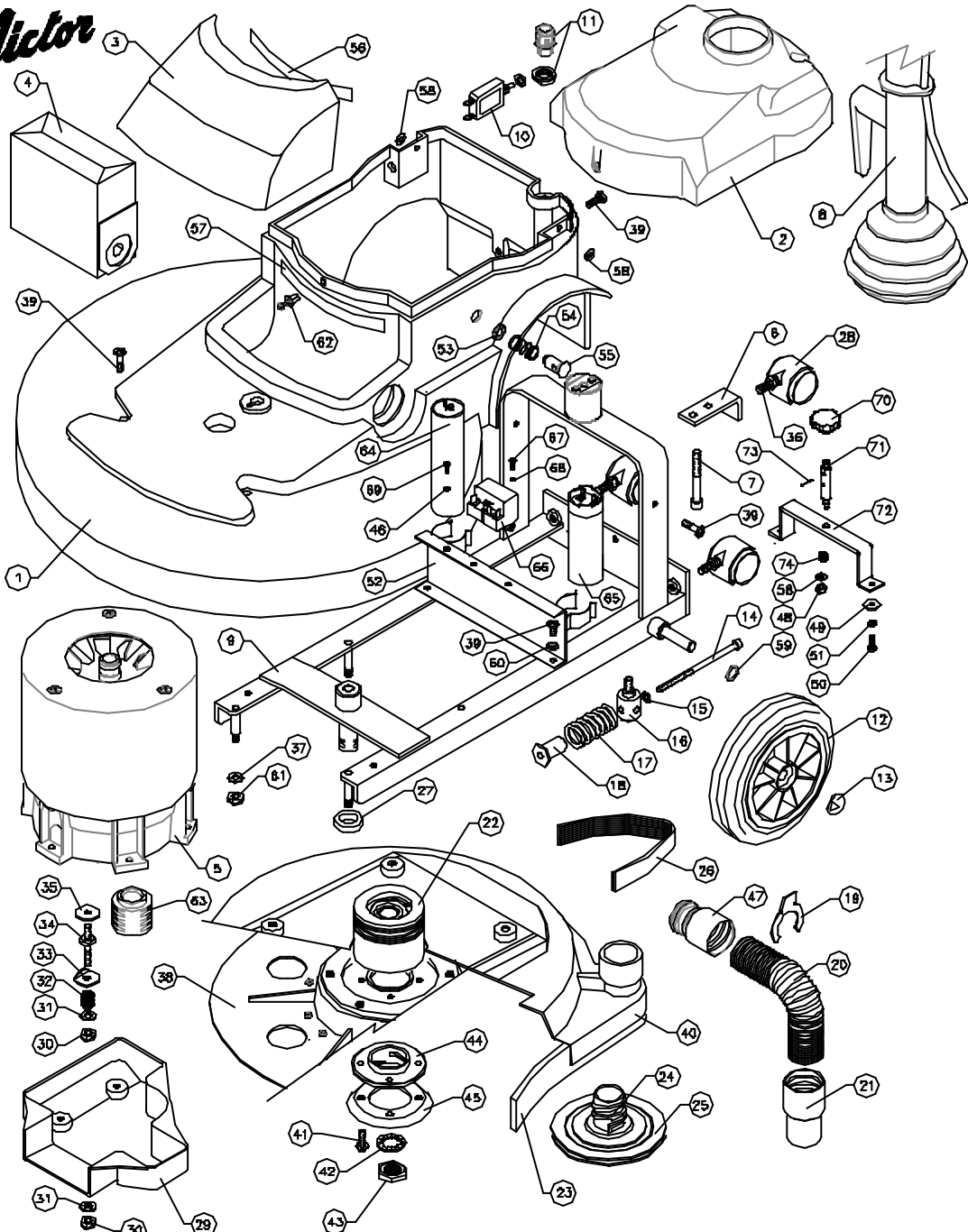
**Victor**



**DOWDING & PLUMMER Ltd.**

CALTHORPE HOUSE, STOCKFIELD ROAD,  
BIRMINGHAM B27 6AP - ENGLAND

TEL: 0121-706-5771 FAX: 0121-708-1052



| ITEM | PART No.   | QTY. | DESCRIPTION                     | ITEM | PART No. | QTY. | DESCRIPTION                    |
|------|------------|------|---------------------------------|------|----------|------|--------------------------------|
| 1    | C1786/L/C  | 1    | BODY Moulding                   | 59   | SB13885  | 2    | WAVEY WASHER - PLW4            |
| 2    | C1726      | 1    | TOP MOTOR COVER                 | 60   | M6WSH    | 2    | M6 SHAKERPROOF WASHER          |
| 3    | C1367      | 1    | FRONT DUST BAG COVER            | 61   | M8NSE    | 4    | M8 NUT - BINX                  |
| 4    | C1456      | 1    | DUST BAG                        | 62   | SB16039  | 1    | SCRIVET                        |
| 5    | ATM2105    | 1    | MOTOR ASSEMBLY                  | 63   | A2142    | 1    | MOTOR PULLEY #40 JB            |
| 6    | C1801      | 1    | BACK BRACKET                    | 64   | SB16256  | 1    | 30MFD RUN CAPACITOR            |
| 7    | M8X709C    | 2    | SOCKET SCREW M8x70mm            | 65   | SB16226  | 1    | 125MFD START CAPACITOR         |
| 8    | AYH1293    | 1    | HANDLE ASSEMBLY                 | 66   | SB16905  | 1    | 2CR4-250 START RELAY           |
| 9    | C1787      | 1    | WELDED FRAME                    | 67   | M5X1165P | 2    | M5X116 POZIPAN HEAD SCREW      |
| 10   | SB3500     | 1    | CIRCUIT BREAKER 12AMP.          | 68   | M3WSP    | 2    | M3 SPRING WASHER               |
| 11   | SB15833    | 1    | CABLE GLAND M16                 | 69   | M4X1065P | 1    | M4X10 POZIPAN HEAD SCREW BRASS |
| 12   | SB16101/NT | 2    | WHEEL #200 REINFORCED-BLACK     | 70   | SB16398  | 1    | M8 HAND KNOB                   |
| 13   | SB13005/A  | 2    | SPRING CAP 1/2"                 | 71   | D0223    | 1    | SKIRT LIFTER BAR               |
| 14   | M8X1259C   | 1    | SOCKET CAP SCREW M8 x 125mm     | 72   | D0220    | 1    | SKIRT LIFTER BRACKET           |
| 15   | 11-4X3-4W  | 1    | 1/4" I/D x 3/4" O/D WASHER      | 73   | SB1345D  | 1    | 3/32" x 3/4" SELLOCK PIN       |
| 16   | A2064      | 1    | MOTOR PILLAR STUD               | 74   | SB16882  | 1    | # 8.5 SPRING SS                |
| 17   | A1650      | 1    | SPRING #30 x 50                 |      |          |      |                                |
| 18   | A1865      | 1    | SPRING RETAINER                 |      |          |      |                                |
| 19   | C1391      | 1    | HOSE CLIP                       |      |          |      |                                |
| 20   | SB16136/F  | 1    | STRETCH HOSE                    |      |          |      |                                |
| 21   | SB16668    | 1    | HOSE END 32mm - BLACK           |      |          |      |                                |
| 22   | AYP1036    | 1    | #60mm x 75mm DRIVE PULLEY ASSY. |      |          |      |                                |
| 23   | C4004/E    | 1    | DIFFUSER FLOOR SEAL             |      |          |      |                                |
| 24   | B1163      | 1    | PAD RETAINER                    |      |          |      |                                |
| 25   | A1842      | 1    | POLYETHYLENE WASHER             |      |          |      |                                |
| 26   | SB16039    | 1    | DRIVE BELT 330 JB               |      |          |      |                                |
| 27   | A2062      | 1    | PULLEY SPACER                   |      |          |      |                                |
| 28   | SB16629    | 3    | #40 TWIN PLASTIC WHEEL CASTOR   |      |          |      |                                |
| 29   | C1308      | 1    | DRIVE BELT GUARD                |      |          |      |                                |
| 30   | M8NSE      | 6    | M8 NUT - BINX                   |      |          |      |                                |
| 31   | M8W        | 7    | M8 PLAIN WASHER                 |      |          |      |                                |
| 32   | A2132      | 3    | SPRING #14 x 15                 |      |          |      |                                |
| 33   | A2069      | 3    | FOLDED WASHER                   |      |          |      |                                |
| 34   | A2068      | 3    | MOTOR STUD                      |      |          |      |                                |
| 35   | A1378      | 4    | PLAIN WASHER #30x#9x2.5         |      |          |      |                                |
| 36   | SB16037    | 3    | M8 x 15 CASTOR STEM             |      |          |      |                                |
| 37   | M8W        | 4    | M8 PLAIN WASHER                 |      |          |      |                                |
| 38   | AYD100B    | 1    | 20" DRIVE PLATE ASSY.           |      |          |      |                                |
| 39   | M8X10SP    | 7    | M8 x 10 SCREW - POZIPAN         |      |          |      |                                |
| 40   | C1788/L    | 1    | SKIRT ASSEMBLY                  |      |          |      |                                |
| 41   | M6X20PPTT  | 4    | M6 x 20 SCREW - TAPTITE         |      |          |      |                                |
| 42   | M20WSP     | 1    | M20 SPRING WASHER               |      |          |      |                                |
| 43   | M20NH      | 1    | M20 HALF NUT                    |      |          |      |                                |
| 44   | B1164      | 1    | RETAINER NUT                    |      |          |      |                                |
| 45   | A1882      | 1    | REINFORCING RING                |      |          |      |                                |
| 46   | M4WB       | 1    | M4 PLAIN WASHER BRASS           |      |          |      |                                |
| 47   | B1367/BL   | 1    | SNIVEL END INNER - BLACK        |      |          |      |                                |
| 48   | M8NSE      | 1    | M8 NUT - BINX                   |      |          |      |                                |
| 49   | M5W        | 2    | M5 x 19 O/D PLAIN WASHER        |      |          |      |                                |
| 50   | M5X10SP    | 2    | M5 x 10 SCREW - POZIPAN         |      |          |      |                                |
| 51   | M5WSP      | 2    | M5 SPRING WASHER                |      |          |      |                                |
| 52   | C1703      | 1    | CAPACITOR MOUNTING BRACKET      |      |          |      |                                |
| 53   | A1944      | 1    | FIXING WASHER - #10mm           |      |          |      |                                |
| 54   | A1620      | 1    | SPRING #17 x 25                 |      |          |      |                                |
| 55   | A1945      | 1    | ANCHOR PIN (15mm) PLASTIC       |      |          |      |                                |
| 56   | SB16328    | 1    | HOOK STRIP                      |      |          |      |                                |
| 57   | SB16327    | 1    | LOOP STRIP                      |      |          |      |                                |
| 58   | M6W        | 3    | M6 x 14 O/D PLAIN WASHER        |      |          |      |                                |

WHEN ORDERING PLEASE QUOTE PART No. AND PART DESCRIPTION

VR-L20 LYNX 20 DRIVE ASSEMBLY 240V