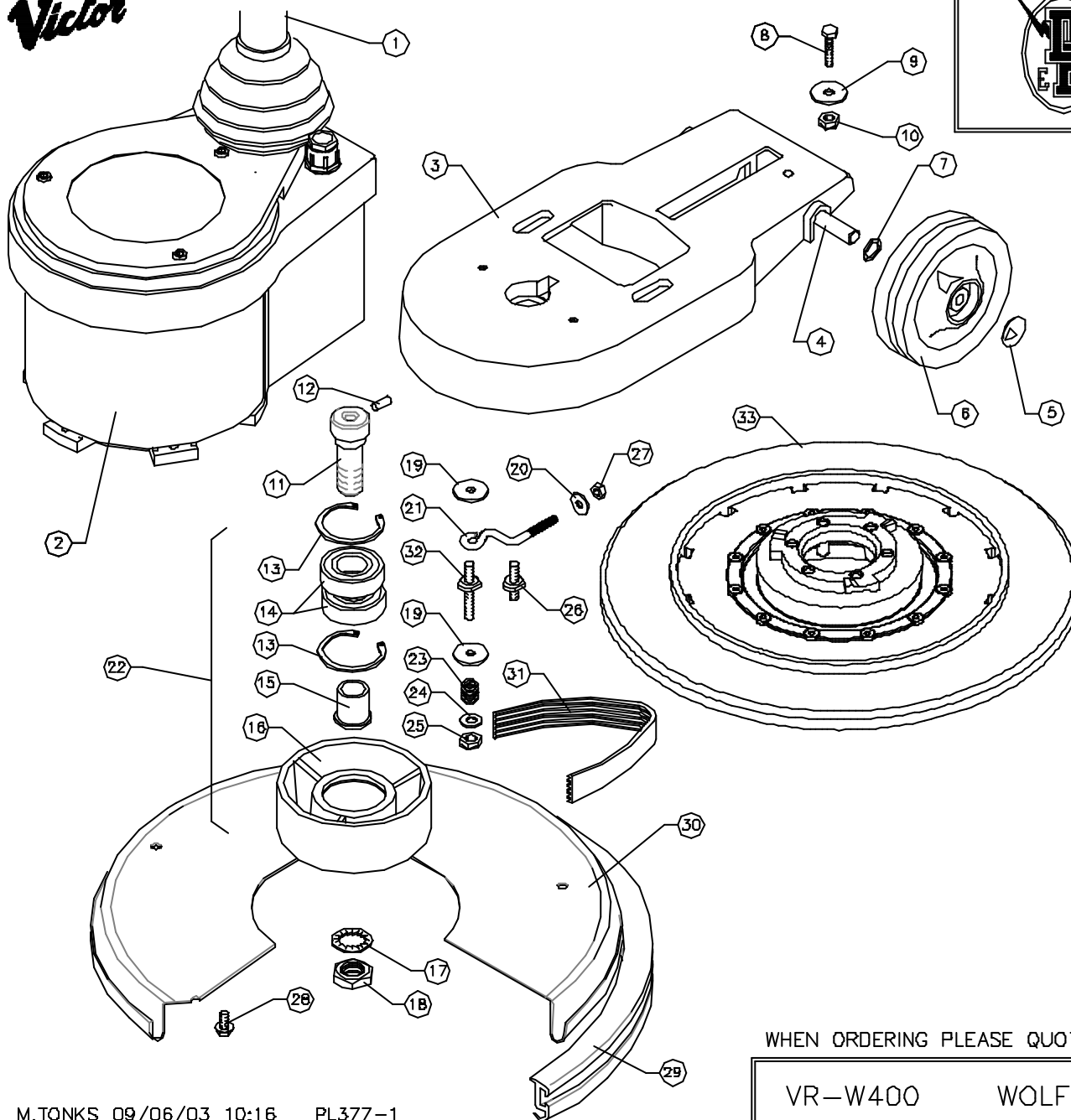


**Victor**



**DOWDING & PLUMMER Ltd.**

CALTHORPE HOUSE, STOCKFIELD ROAD,  
BIRMINGHAM B27 6AP - ENGLAND

TEL: 0121-706-5771 FAX: 0121-708-1052

ITEM	PART No.	QTY.	DESCRIPTION
1	AYH1238	1	HANDLE ASSEMBLY
2	AYM2052	1	MOTOR ASSEMBLY
3	B1019/H/GH	1	BASE
4	A1815/PLTD	1	WHEEL AXLE 250mm
5	SBI3005/A	2	12mm STARLOCK CAP
6	A1880/BL	2	125mm WHEEL - BLACK
7	SBI3666	2	WAVY WASHER - PLW4
8	M8X35EH	1	M8X35 HEX HEAD SCREW
9	A1378	1	30X9X2.5 WASHER
10	M8NSB	1	M8 STIFF NUT
11	A1674	1	CENTRE FEED PULLEY BOLT
12	SBI5550	1	1/4" x 5/8" SELOCK PIN
13	SBI3485	2	CIRCLIP 52mm INTERNAL
14	SBI3412	2	BEARING - Lj25mm
15	A1456	1	BEARING SLEEVE
16	A1684	1	Ø157mm OUTPUT PULLEY
17	M20WSH	1	M20 SHAKEPROOF WASHER
18	M20NH	1	M20 HALF NUT
19	A1378	6	WASHER (30x9x2.5mm)
20	11-4X3-4W	2	1/4" x 3/4" WASHER
21	A1680	1	EYEBOLT
22	AYP1015	1	DRIVE PULLEY ASSY
23	A2132	1	MOTOR STUD SPRING
24	M8W	3	M8 PLAIN WASHER
25	M8NSB	3	M8 BINX STIFF NUT
26	A1813/PLTD	2	STUD
27	M6N	2	M6 NUT
28	M6X12TT	3	M6 x 12 TAPTITE SCREW
29	A1753/A/BL	1	1270mm BUFFER RING - BLACK
30	B1055/GH	1	BRUSH COVER - 400mm
31	SBI3355	1	220J8 POLYVEE DRIVE BELT
32	A1223/PLTD	1	MOTOR DRIVE STUD
33	VB40142	1	DRIVE BOARD ASSEMBLY

WHEN ORDERING PLEASE QUOTE PART No. AND PART DESCRIPTION