

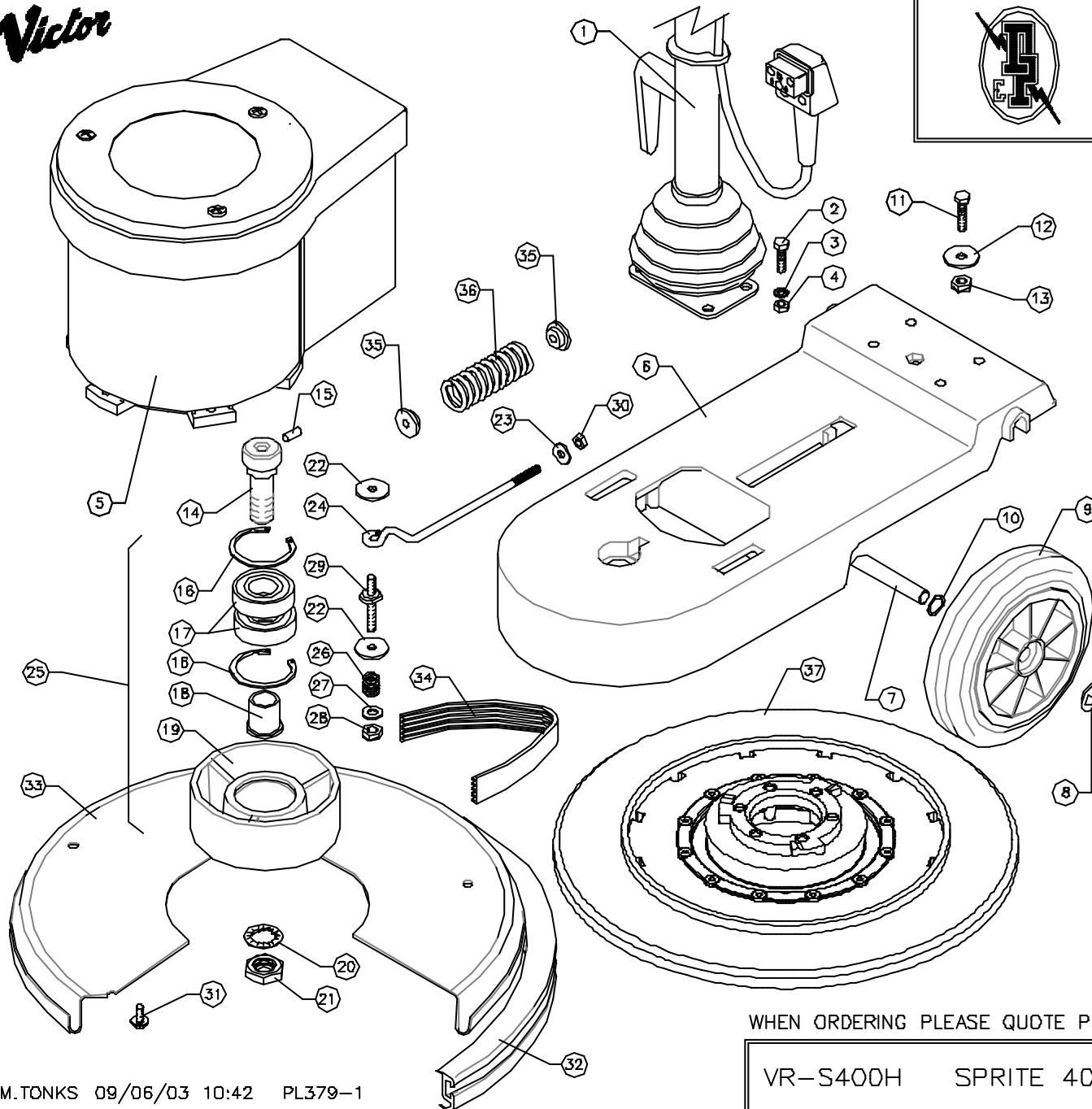
**Victor**



**DOWDING & PLUMMER Ltd.**

CALTHORPE HOUSE, STOCKFIELD ROAD,  
BIRMINGHAM B27 6AP - ENGLAND

TEL: 0121-706-5771 FAX: 0121-708-1052



ITEM	PART No.	QTY.	DESCRIPTION
1	AYH1800	1	HANDLE ASSEMBLY
2	M8X30BH	4	M8X30 HEX HEAD SCREW
3	M8WSP	4	M8 SPRING WASHER
4	M8N	4	M8 NUT
5	AYM2046	1	MOTOR ASSEMBLY
6	A1123/E/GH	1	BASE - GREY HAMMER
7	A1657/PLTD	1	WHEEL AXLE 325mm
8	SBI3005/A	2	12mm STARLOCK CAP
9	SBI6101/NT	2	200mm WHEEL - BLACK
10	SBI3666	2	WAVY WASHER - PLW4
11	M8X35BH	1	M8X35 HEX HEAD SCREW
12	A1378	1	30X9X2.5 WASHER
13	M8NSB	1	M8 STIFF NUT
14	A1674	1	CENTRE FEED PULLEY BOLT
15	SBI5550	1	1/4" x 5/8" SELOCK PIN
16	SBI3485	2	CIRCLIP 52mm INTERNAL
17	SBI3412	2	BEARING - LJ25mm
18	A1456	1	BEARING SLEEVE
19	A1700	1	Ø156mm OUTPUT PULLEY
20	M20WSH	1	M20 SHAKEPROOF WASHER
21	M20NH	1	M20 HALF NUT
22	A1378	6	WASHER (30x9x2.5mm)
23	11-4X3-4W	2	1/4" x 3/4" WASHER
24	A1377	1	EYEBOLT
25	AYP1D16	1	DRIVE PULLEY ASSY
26	A2132	3	MOTOR STUD SPRING
27	M8W	3	M8 PLAIN WASHER
28	M8NSB	3	M8 BINX STIFF NUT
29	A1223/PLTD	3	MOTOR DRIVE STUD
30	M6N	2	M6 NUT
31	M6X12TT	5	M6 x 12 TAPTITE SCREW
32	A1753/A/BL	1	1270mm BUFFER RING - BLACK
33	B1D55/GH	1	BRUSH COVER - 400mm
34	SBI3823	1	220J16 POLYVEE DRIVE BELT
35	A1151	2	SPRING LOCATOR
36	A1159	1	BELT ADJUSTING SPRING
37	VB40141	1	DRIVE BOARD ASSEMBLY

WHEN ORDERING PLEASE QUOTE PART No. AND PART DESCRIPTION