

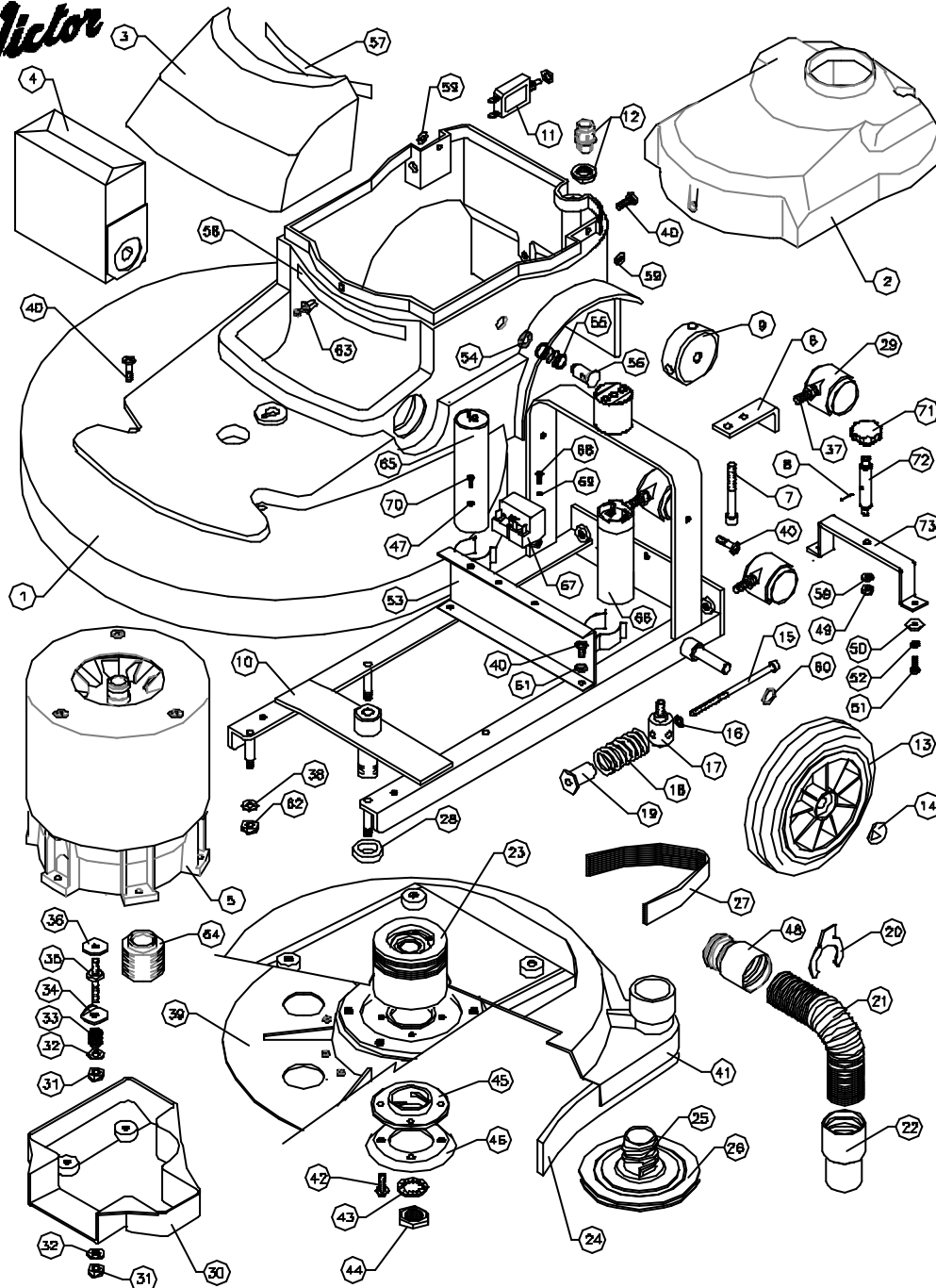
**Victor**



**DOWDING & PLUMMER Ltd.**

CALTHORPE HOUSE, STOCKFIELD ROAD,  
BIRMINGHAM B27 6AP - ENGLAND

TEL: 0121-706-5771 FAX: 0121-708-1052



ITEM	PART No.	QTY.	DESCRIPTION	ITEM	PART No.	QTY.	DESCRIPTION
1	C1786/L/C	1	BODY MouldING	59	N6W	3	N6 x 14 O/D PLAIN WASHER
2	C1726	1	TOP MOTOR COVER	60	SB3666	2	WAVEY WASHER - PLV4
3	C1387	1	FRONT DUST BAG COVER	61	N6WSH	2	N6 SHAKEPROOF WASHER
4	C1456	1	DUST BAG	62	N6NSB	4	N6 NUT - BINX
5	SEE TABLE	1	MOTOR ASSY.	63	SB8039	1	SCRIVET
6	C1801	1	BACK BRACKET	64	A2142	1	MOTOR PULLEY #40 JB
7	NBX705C	2	SOCKET SCREW NBx70mm	65	SB8056	1	32MFD RUN CAPACITOR
8	SB1345D	1	3/32" x 3/4" SELDOK PIN	66	SB5228	1	125MFD START CAPACITOR
9	C1388	1	SELECTOR PIVOT	67	SB3958	1	2CR4-238 START RELAY
10	C1787	1	WELDED FRAME	68	N3X105P	2	N3X10 POZIPAN HEAD SCREW
11	SB15500	1	CIRCUIT BREAKER 12AMP.	69	N3WSP	2	N3 SPRING WASHER
12	SB15833	1	CABLE GLAND M16	70	N4X105P8	1	N4X10 POZIPAN HEAD SCREW BRASS
13	SB16101/NT	2	WHEEL #200 REINFORCED-BLACK	71	SB18308	1	N6 HAND KNIFE
14	SB10003/A	2	SPRING CAP 1/2"	72	D0223	1	SKIRT LIFTER BAR
15	N6X1256C	1	SOCKET CAP SCREW M6 x 125mm	73	D0220	1	SKIRT LIFTER BRACKET
16	11-4X3-4W	1	1/4" I/D x 3/4" O/D WASHER				
17	A2064	1	MOTOR PILLAR STUD				
18	A1830	1	SPRING #30 x 50				
18	A1885	1	SPRING RETAINER				
20	C1381	1	HOSE CLIP				
21	SB16138/F	1	STRETCH HOSE				
22	SB15888	1	HOSE END 32mm - BLACK				
23	AYP1036	1	#80mm x 75mm DRIVE PULLEY ASSY.				
24	C4004/E	1	DIFFUSER FLOOR SEAL				
25	B1163	1	PAD RETAINER				
26	A1842	1	POLYETHYLENE WASHER				
27	SB16539	1	DRIVE BELT 330 JB				
28	A2062	1	PULLEY SPACER				
28	SB16529	3	#40 TWIN PLASTIC WHEEL CASTOR				
30	C1388	1	DRIVE BELT GUARD				
31	N6NSB	6	N6 NUT - BINX				
32	N6W	7	N6 PLAIN WASHER				
33	A2132	3	SPRING #14 x 15				
34	A2089	3	FOLDED WASHER				
35	A2085	3	MOTOR STUD				
36	A1376	4	PLAIN WASHER #30x#9-2.5				
37	SB16537	3	N6 x 15 CASTOR STEM				
38	N6W	4	N6 PLAIN WASHER				
38	AYD1008	1	20" DRIVE PLATE ASSY.				
40	N6X10SP	7	N6 x 10 SCREW - POZIPAN				
41	C1788/L	1	SKIRT ASSEMBLY				
42	N6X20PFTT	4	N6 x 20 SCREW - TAPITTE				
43	N20WSP	1	N20 SPRING WASHER				
44	N20NH	1	N20 HALF NUT				
45	B1184	1	RETAINER NUT				
46	A1882	1	REINFORCING RING				
47	N4WB	1	N4 PLAIN WASHER BRASS				
48	B1387/BL	1	SWIVEL END INNER - BLACK				
48	N6NSB	1	N6 NUT - BINX				
50	NSW	2	N5 x 19 O/D PLAIN WASHER				
51	NSX10SP	2	N5 x 10 SCREW - POZIPAN				
52	M3WSP	2	M5 SPRING WASHER				
53	C1783	1	CAPACITOR MOUNTING BRACKET				
54	A1944	1	FIXING WASHER - #10mm				
55	A1820	1	SPRING #17 x 23				
56	A1945	1	ANCHOR PIN (15mm) PLASTIC				
57	SB16328	1	HOOK STRIP				
58	SB16327	1	LOOP STRIP				

MODEL	DESCRIPTION	HANDLE ASSY	MOTOR ASSY
VA542	240V/50HZ/1150W	AYH1283	AYN2185

WHEN ORDERING PLEASE QUOTE PART No. AND PART DESCRIPTION

VA542 LYNX 20" DRIVE ASSY 800RPM 220/240V RANGE