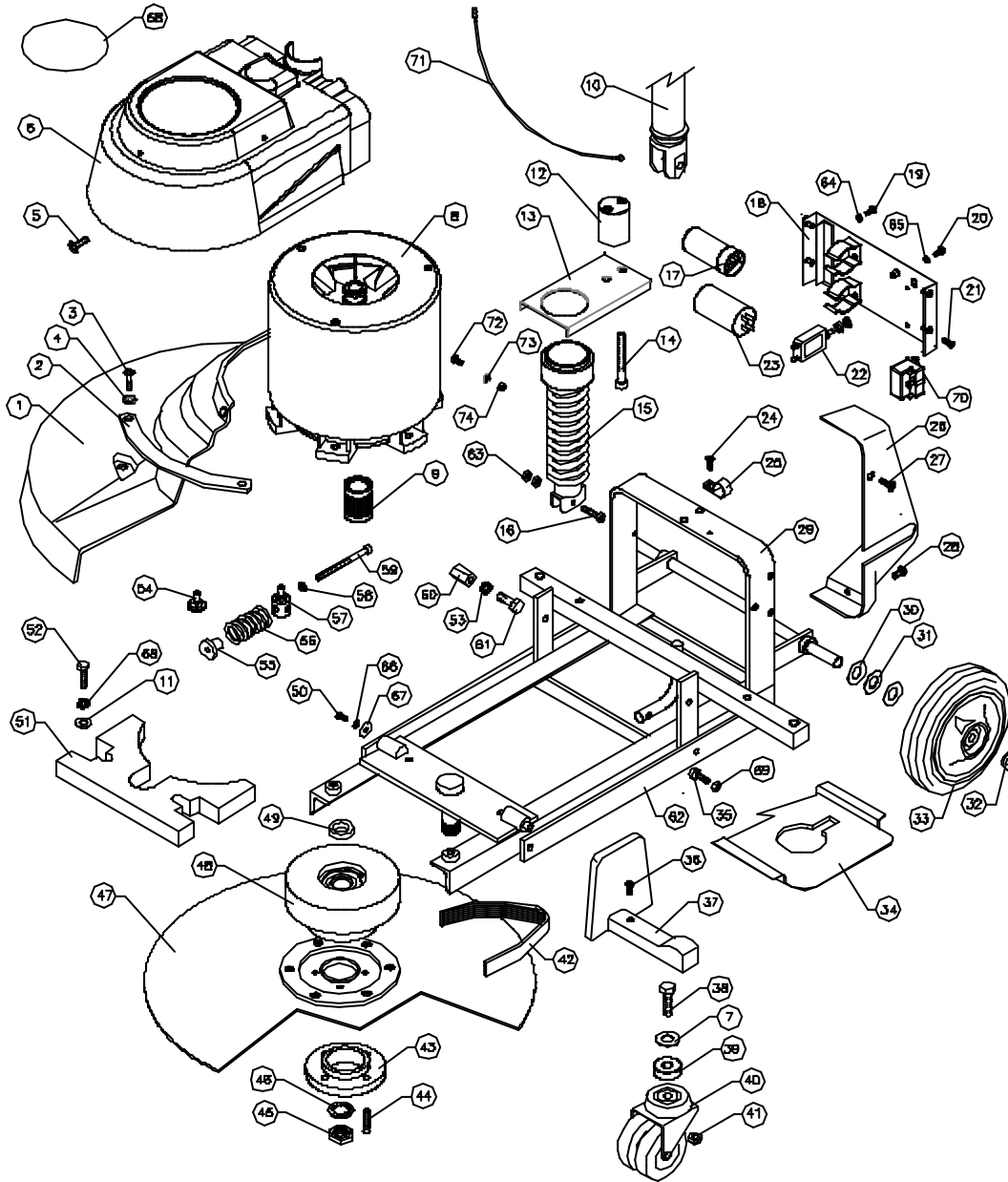


# Victor



## DOWDING & PLUMMER Ltd.

CALTHORPE HOUSE, STOCKFIELD ROAD,  
BIRMINGHAM B27 6AP - ENGLAND

TEL: 0121-706-5771 FAX: 0121-708-1052

ITEM	PART No.	QTY.	DESCRIPTION	ITEM	PART No.	QTY.	DESCRIPTION
1	DQ391	1	BODY MOUNTING	63	M6N	2	M6 PLAIN NUT
2	C4Q2B	1	LIFTING HANDLE	64	M3N	2	M3 NUT
3	MBX20BPP	2	M6X20 POZI PANHEAD SCREW	65	N4W8	2	M4 BRASS WASHER
4	MBWSP	1	M6 SPRING WASHER	66	N5WSP	2	M5 SPRING WASHER
5	SB0615	1	M6X16 NYLON SCREW BLACK	67	I3-16X3-4W	2	3/16" x 3/4" WASHER
6	D0680	1	MOTOR COVER ASSEMBLY	68	SB15477	1	VICTOR WORLD MOTOR TOP LABEL
7	N10W	1	M10 x 30 PLAIN WASHER THICK	69	M6N	2	M6 PLAIN NUT
8	D0801	1	MOTOR ASSEMBLY	70	SB13860	1	2CR4-210 START RELAY
9	D0797	1	MOTOR PULLEY 31.5mm	71	SB15573/A	1	EARTH CABLE
10	AYH1815	1	HANDLE ASSEMBLY	72	N4X10SPB	1	M4X10 POZIPAN SCREW BRASS
11	M6W	2	M6 PLAIN WASHER	73	N4WSH	1	M4 SHAKEPROOF WASHER
12	C4Q31	1	MOUNTING BLOCK	74	N4NB	1	M4 NUT BRASS
13	DQ371	1	SPRING PLATE				
14	M6X80SC	2	M6X80 SOCKET CAP SCREW				
15	C4Q03	1	SPRING ASSEMBLY				
16	M6X30SC	1	M6X30 SOCKET CAP SCREW				
17	SB1523D	1	20 MF CAPACITOR				
18	D080D	1	SWITCH PLATE ASSEMBLY				
19	M3X10SP	2	M3X10 POZI PANHEAD SCREW				
20	M4X10SPB	2	M4X10 BRASS POZI PANHEAD SCREW				
21	M4X16CSK	4	M4X16 POZI COUNTERSUNK				
22	SB10499	1	7 AMP CIRCUIT BREAKER				
23	SB10227	1	80 MF CAPACITOR				
24	M4X10SP	1	M4X10 POZI PANHEAD SCREW				
25	SB16911	1	'F' CLIP				
26	D0581A	1	REAR COVER				
27	M6X12BPP	2	M6X12 POZI PANHEAD SCREW BLACK				
28	M5X10PP	2	M5X10 POZI PANHEAD SCREW				
29	C4Q2B	1	MAIN FRAME				
30	N12W	4	M12 PLAIN WASHER				
31	SB13866	2	WAVED WASHER				
32	SB13005/A	2	STARLOCK CAP				
33	SB16742	2	WHEEL 150mm BLACK				
34	D0683	1	BELT GUARD				
35	M6X20CHS	2	M6X20 NYLON CHEESEHEAD SCREW				
36	M5X12PPB	2	M5X12 POZI PANHEAD SCREW BLACK				
37	D0682	2	CASTOR FRAME COVER				
38	M10X55HB	2	M10X55 HEX HEAD BOLT				
39	C4Q3B	2	CASTOR SPACER				
40	SB16132	2	DOUBLE WHEELED CASTOR				
41	M10NSB	2	M10 BNX STIFF NUT				
42	SB13386	1	220UB DRIVE BELT				
43	DQ386	1	DRIVE PLATE RETAINER				
44	M6X40CSK-SH	4	M6X40 COUNTERSUNK SOCKET HEAD SCREW				
45	M20NH	1	M20 HALF NUT				
46	M20WSH	1	M20 SHAKEPROOF WASHER				
47	D0677	1	DRIVE PLATE ASSEMBLY				
48	D0811	1	DRIVE PLATE PULLEY ASSY				
49	A2062	1	PULLEY PACKING WASHER				
50	M3X10SP	2	M3X10 POZI PANHEAD SCREW				
51	D0294	1	WEIGHT				
52	M6X35BH	2	M6X35 HEX HEAD BOLT				
53	MBWSP	4	M6 SPRING WASHER				
54	D04Q2	3	MOTOR MOUNTING STUD				
55	A1865	1	SPRING RETAINER				
56	A1860	1	SPRING @30X50				
57	D04Q3	1	MOTOR PILLAR STUD				
58	M6W	1	M6 PLAIN WASHER				
59	A1884	1	BELT TENSIONING SCREW				
60	A2041	2	OVERTRAVEL STOP				
61	M6X20BH	2	M6X20 HEX HEAD BOLT				
62	C4Q27	1	CASTOR FRAME				

WHEN ORDERING PLEASE QUOTE PART No. AND PART DESCRIPTION