

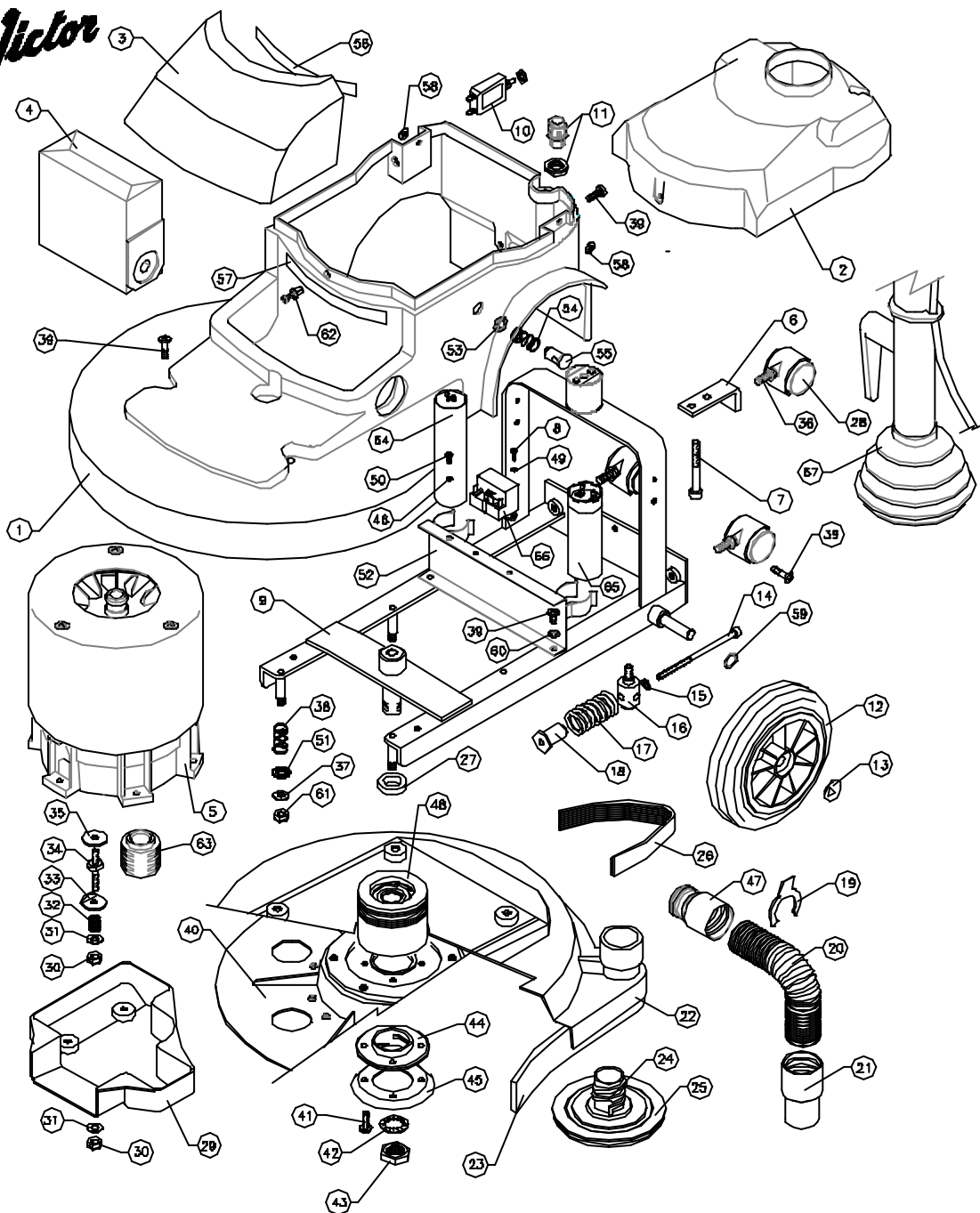
Victor



DOWDING & PLUMMER Ltd.

CALTHORPE HOUSE, STOCKFIELD ROAD,
BIRMINGHAM B27 6AP - ENGLAND

TEL: 0121-706-5771 FAX: 0121-708-1052



ITEM	PART No.	QTY.	DESCRIPTION	ITEM	PART No.	QTY.	DESCRIPTION
1	C1725/C	1	BODY MouldING	59	S813866	2	WAVEY WASHER - PLW4
2	C1725	1	TOP MOTOR COVER	60	M6WSH	2	M6 SHAKEPROOF WASHER
3	C1397	1	FRONT DUST BAG COVER	61	M8NSEI	4	M8 NUT - BINX
4	C1468	1	DUST BAG	62	S818039	1	SCRIVET
5	AYM2185	1	MOTOR ASSY 240V	63	A2142	1	MOTOR PULLEY #40 J8
6	C1801	1	BACK BRACKET	64	S818056	1	30MFD RUN CAPACITOR
7	M6X7DSC	2	SOCKET SCREW M6x70mm	65	S813225	1	125MFD START CAPACITOR
8	M3X165FP	2	M3X16 POZIPAN HEAD SCREW	66	S813958	1	2CR4-258 START RELAY
9	C1702	1	WELDED FRAME	67	AYH1288	1	HANDLE ASSY
10	S81550D	1	CIRCUIT BREAKER 12AMP.				
11	S818833	1	CABLE GLAND M16				
12	S818101/NT	2	WHEEL #200 REINFORCED-BLACK				
13	S813805/A	2	SPRING CAP 1/2"				
14	M6X125SC	1	SOCKET CAP SCREW M6 x 125mm				
15	I1-4X3-4W	1	1/4" 1/D x 3/4" O/D WASHER				
16	A2064	1	MOTOR PILLAR STUD				
17	A1850	1	SPRING #30 x 50				
18	A1865	1	SPRING RETAINER				
19	C1391	1	HOSE CLIP				
20	S810136/F	1	STRETCH HOSE				
21	S815868	1	HOSE END 32mm - BLACK				
22	C1519	1	SKIRT ASSY.				
23	C4004/A	1	DIFFUSER FLOOR SEAL				
24	B1183	1	PAD RETAINER				
25	A1842	1	POLYETHYLENE WASHER				
26	S818053	1	DRIVE BELT 280 J8				
27	A2062	1	PULLEY SPACER				
28	S818529	3	ø40 TWIN PLASTIC WHEEL CASTOR				
29	C1398	1	DRIVE BELT GUARD				
30	M8NSEI	6	M8 NUT - BINX				
31	M8W	7	M8 PLAIN WASHER				
32	A2132	3	SPRING #14 x 15				
33	A2069	3	FOLDED WASHER				
34	A2068	3	MOTOR STUD				
35	A1376	4	PLAIN WASHER #30x#8x2.5				
36	S818537	3	M8 x 15 CASTOR STEM				
37	M8W	4	M8 PLAIN WASHER				
38	A1620	4	SPRING #17 x 25				
39	M6X10DSP	7	M6 x 10 SCREW - POZIPAN				
40	AYD1016	1	18" DRIVE PLATE ASSY.				
41	M6X20FPITT	4	M6 x 20 SCREW - TAPTITE				
42	M20WSP	1	M20 SPRING WASHER				
43	M20NH	1	M20 HALF NUT				
44	B1184	1	RETAINER NUT				
45	A1882	1	REINFORCING RING				
46	M4WB	1	M4 PLAIN WASHER BRASS				
47	B1387/BL	1	SWIVEL END INNER - BLACK				
48	AYP1038	1	ø80mm x 75mm DRIVE PULLEY ASSY.				
49	M3WSP	2	M3 SPRING WASHER				
50	M4X10DSPB	1	M4X10 POZIPAN HEAD SCREW BRASS				
51	M12W	4	M12 PLAIN WASHER				
52	C1703	1	CAPACITOR MOUNTING BRACKET				
53	A1844	1	FIXING WASHER - #10mm				
54	A1620	1	SPRING #17 x 25				
55	A1845	1	ANCHOR PIN (15mm) PLASTIC				
56	S818328	1	HOOK STRIP				
57	S818327	1	LDSF STRIP				
58	M8W	2	M8 x 14 O/D PLAIN WASHER				

WHEN ORDERING PLEASE QUOTE PART No. AND PART DESCRIPTION

VR-L15 LYNX 15 DRIVE ASSEMBLY 240V