

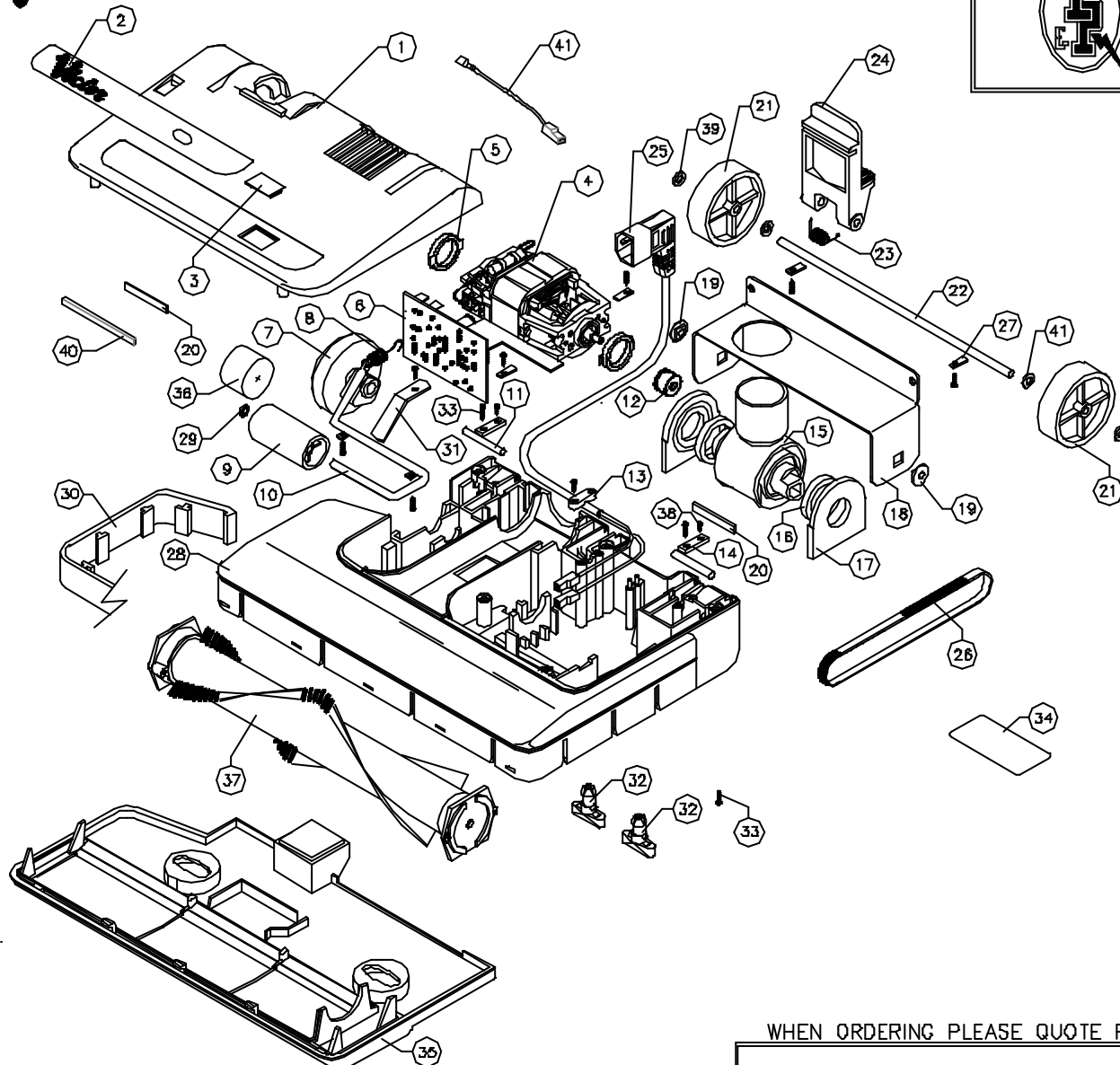
Victor



DOWDING & PLUMMER Ltd.

CALTHORPE HOUSE, STOCKFIELD ROAD,
BIRMINGHAM B27 6AP - ENGLAND

TEL: 0121-706-5771 FAX: 0121-708-1052



ITEM	PART No.	QTY.	DESCRIPTION
1	C1070/LGR	1	POWER BRUSH TOP MOULDING - LIGHT GREY
2	C1857	1	TOP COVER LABEL
3	C1114	1	CLIP IN LENS
4	SBI6266	1	240V 50 Hz 3DOW MOTOR
5	C1818	2	MOTOR SUPPORT RING
6	C4072	1	CIRCUIT BOARD
7	C1022	1	HEIGHT ADJUSTMENT KNOB
8	C1047	1	ROLLER ADJUSTMENT SPRING
9	C1003	1	FLOOR ROLLER
10	C1028	1	ROLLER AXLE
11	C1028	2	PIVOT PIN
12	D0750	1	MOTOR PULLEY
13	C1404	1	CABLE GRIP
14	C1340	2	CLAMP PLATE
15	C1069	1	TRUNNION
16	C1061	2	TRUNNION SIDE FELT
17	C1004	2	TRUNNION SIDE PLATE
18	C1021	1	PRESS STEEL BRACKET
19	C1015	2	SQUARE BUSH
20	C1137	2	FELT SEAL
21	C1017	2	WHEEL Ø66
22	C1027	1	WHEEL AXLE
23	C1039	1	PARK RELEASE SPRING
24	C1018	1	FOOT PEDAL
25	C1094	1	INPUT POWER CORD
26	D0662	1	DRIVE BELT
27	C1025	5	CLAMP WASHER
28	C1007/LGR	1	POWER BRUSH MIDDLE MOULDING - LIGHT GREY
29	SBI6348	1	6mm STARLOCK CAP
30	C1084	1	SMALL BUFFER
31	C1819	1	MOTOR FIXING BRACKET
32	C1019	2	TURNBUTTON
33	M4X20SP	15	M4 x 20mm SPAX
34	C1150	1	RATING LABEL
35	AYF37D	1	370 BOTTOM FLOOR PLATE
36	C1472	1	FOAM RING SEAL
37	D0768	1	BRUSH ROLL ASSY (HARD BRISTLE)
38	M4X12SP	2	M4 x 12mm SPAX
39	M6W	4	M6 WASHER
40	C1867	1	FOAM SEAL STRIP
41	C1890	2	MOTOR TO CIRCUIT BOARD CABLE

WHEN ORDERING PLEASE QUOTE PART No. AND PART DESCRIPTION

V-UCS POWER BRUSH ASSEMBLY 220/240V 50Hz