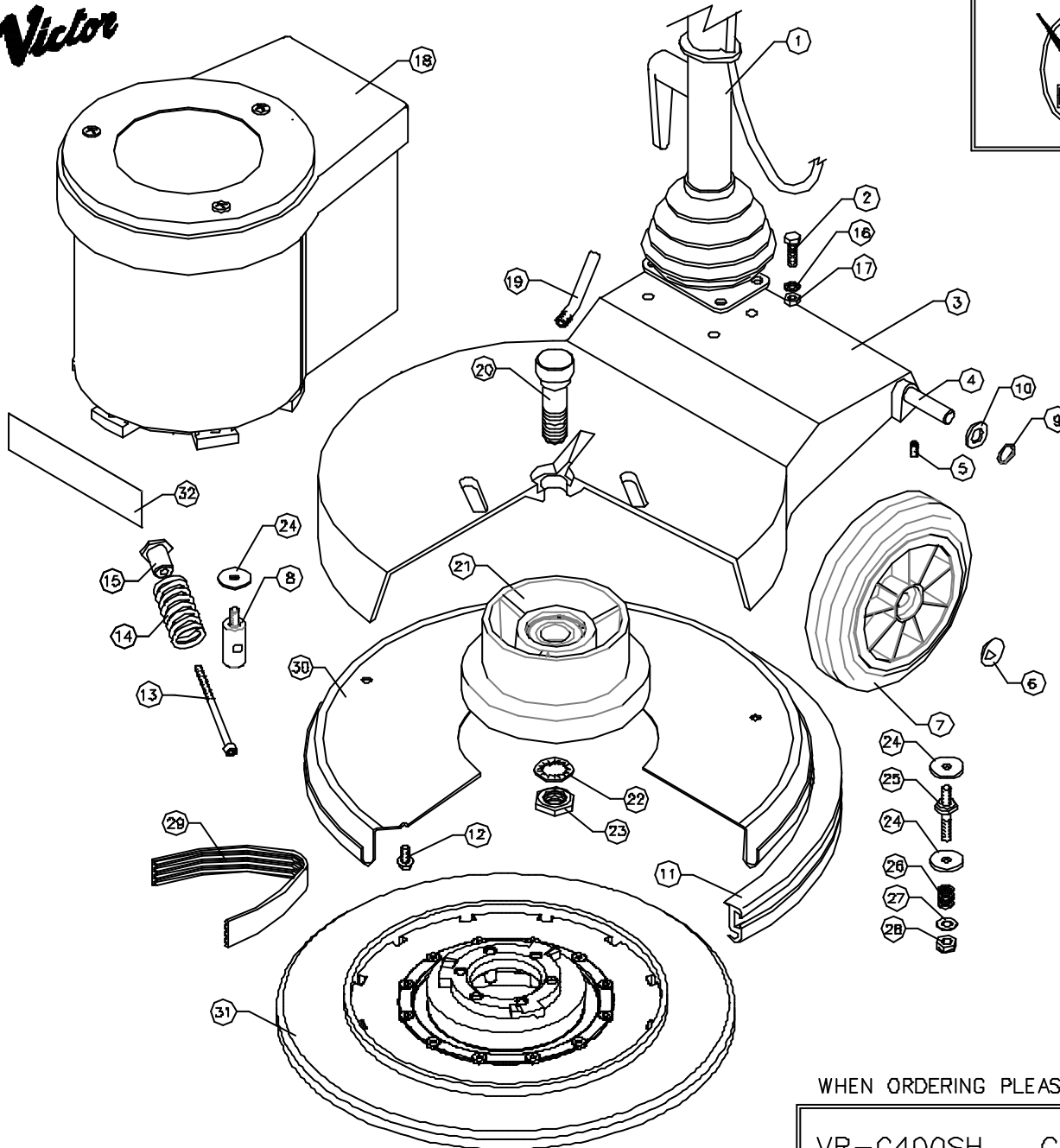


Victor



DOWDING & PLUMMER Ltd.

CALTHORPE HOUSE, STOCKFIELD ROAD,
BIRMINGHAM B27 6AP - ENGLAND

TEL: 0121-706-5771 FAX: 0121-708-1052

| ITEM | PART No. | QTY. | DESCRIPTION |
|------|------------|------|---------------------------------|
| 1 | AYH1800/C | 1 | HANDLE ASSEMBLY |
| 2 | MBX30BH | 4 | M8 x 30HEX HEAD SCREW |
| 3 | A1334/A/GH | 1 | EUROPA 400 BASE MK2 GREY |
| 4 | A187B/PLTD | 1 | WHEEL AXLE EUR MK2 PLATED 380mm |
| 5 | M6X8SC | 1 | M6 x 8 SOCKET GRUB SCREW |
| 6 | SBI3005/A | 2 | 12mm STARLOCK CAP |
| 7 | SBI6100/NT | 2 | 7" WHEEL - BLACK |
| 8 | A1766 | 1 | MOTOR PILLAR STUD |
| 9 | SBI3666 | 2 | WAVEY WASHER - PLW4 |
| 10 | M12W | 2 | 12mm PLAIN WASHER |
| 11 | A1753/A/BL | 1 | 1270mm O/R BUFFER RING - BLACK |
| 12 | M6X12TT | 5 | M6 x 12 TAPTITE SCREW |
| 13 | A1864 | 1 | BELT TENSIONING SCREW - M6x90 |
| 14 | A1850 | 1 | SPRING |
| 15 | A1865 | 1 | SPRING RETAINER |
| 16 | M8WSP | 4 | M8 SPRING WASHER |
| 17 | M8N | 4 | M8 NUT |
| 18 | AYM2192 | 1 | MOTOR ASSEMBLY |
| 19 | A1462/PLTD | 1 | WATER FEED PIPE - 10mm PLATED |
| 20 | A1450/PLTD | 1 | PULLEY BOLT PLATED |
| 21 | AYP1010 | 1 | Ø125mm OUTPUT PULLEY ASSEMBLY |
| 22 | M20WSH | 1 | M20 SHAKEPROOF WASHER |
| 23 | M20N | 1 | M20 FULL NUT |
| 24 | A1378 | 7 | WASHER (30x9x2.5mm) |
| 25 | A1843 | 3 | MOTOR STUD |
| 26 | A2132 | 3 | MOTOR STUD SPRING |
| 27 | M8W | 3 | M8 PLAIN WASHER |
| 28 | M8NSB | 3 | M8 BINX STIFF NUT |
| 29 | SBI3751 | 1 | 180J16 POLYVEE DRIVE BELT |
| 30 | B1056/GH | 1 | BRUSH COVER PRESSING - 400mm |
| 31 | VB40141 | 1 | DRIVE BOARD ASSEMBLY |
| 32 | D0803 | 1 | CONTRACTOR LABEL |

WHEN ORDERING PLEASE QUOTE PART No. AND PART DESCRIPTION