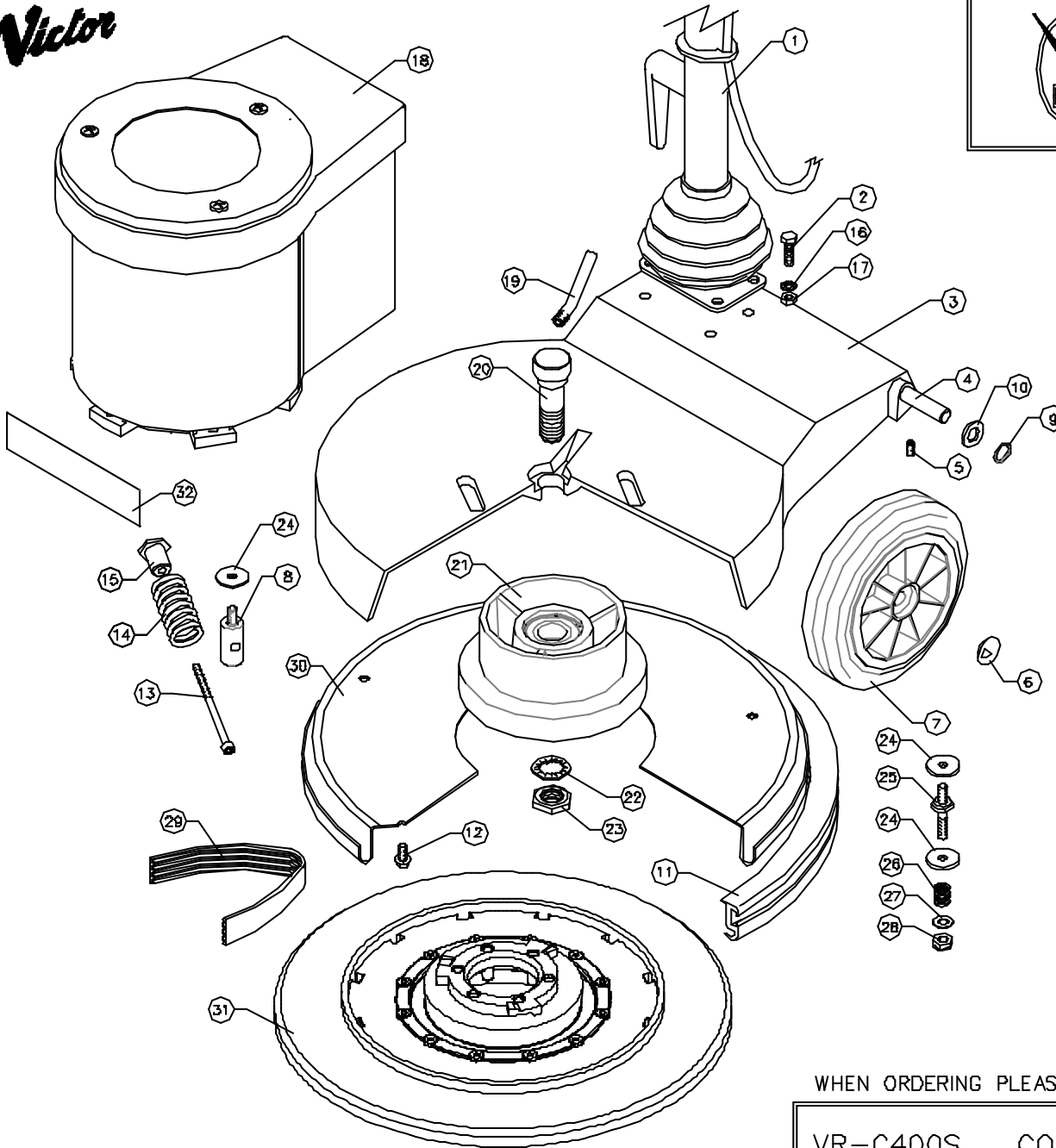


**Victor**



**DOWDING & PLUMMER Ltd.**

CALTHORPE HOUSE, STOCKFIELD ROAD,  
BIRMINGHAM B27 6AP - ENGLAND  
TEL: 0121-706-5771 FAX: 0121-708-1052

ITEM	PART No.	QTY.	DESCRIPTION
1	AYH1800/C	1	HANDLE ASSEMBLY
2	MBX30BH	4	M8 x 30HEX HEAD SCREW
3	A1334/A/GH	1	EUROPA 400 BASE MK2 GREY
4	A187B/PLTD	1	WHEEL AXLE EUR MK2 PLATED 380mm
5	M6X8SC	1	M6 x 8 SOCKET GRUB SCREW
6	SBI3005/A	2	12mm STARLOCK CAP
7	SBI6100/NT	2	7" WHEEL - BLACK
8	A1766	1	MOTOR PILLAR STUD
9	SBI3666	2	WAVEY WASHER - PLW4
10	M12W	2	12mm PLAIN WASHER
11	A1753/A/BL	1	1270mm O/R BUFFER RING - BLACK
12	M6X12TT	5	M6 x 12 TAPTITE SCREW
13	A1864	1	BELT TENSIONING SCREW - M6x90
14	A1850	1	SPRING
15	A1865	1	SPRING RETAINER
16	M8WSP	4	M8 SPRING WASHER
17	M8N	4	M8 NUT
18	AYM2191	1	MOTOR ASSEMBLY
19	A1462/PLTD	1	WATER FEED PIPE - 10mm PLATED
20	A1450/PLTD	1	PULLEY BOLT PLATED
21	AYP1010	1	Ø125mm OUTPUT PULLEY ASSEMBLY
22	M20WSH	1	M20 SHAKEPROOF WASHER
23	M20N	1	M20 FULL NUT
24	A1378	7	WASHER (30x9x2.5mm)
25	A1843	3	MOTOR STUD
26	A2132	3	MOTOR STUD SPRING
27	M8W	3	M8 PLAIN WASHER
28	M8NSB	3	M8 BINX STIFF NUT
29	SBI3751	1	180J16 POLYVEE DRIVE BELT
30	B1056/GH	1	BRUSH COVER PRESSING - 400mm
31	VB40141	1	DRIVE BOARD ASSEMBLY
32	D0803	1	CONTRACTOR LABEL

WHEN ORDERING PLEASE QUOTE PART No. AND PART DESCRIPTION

VR-C400S CONTRACTOR 400 DRIVE ASSEMBLY 240V