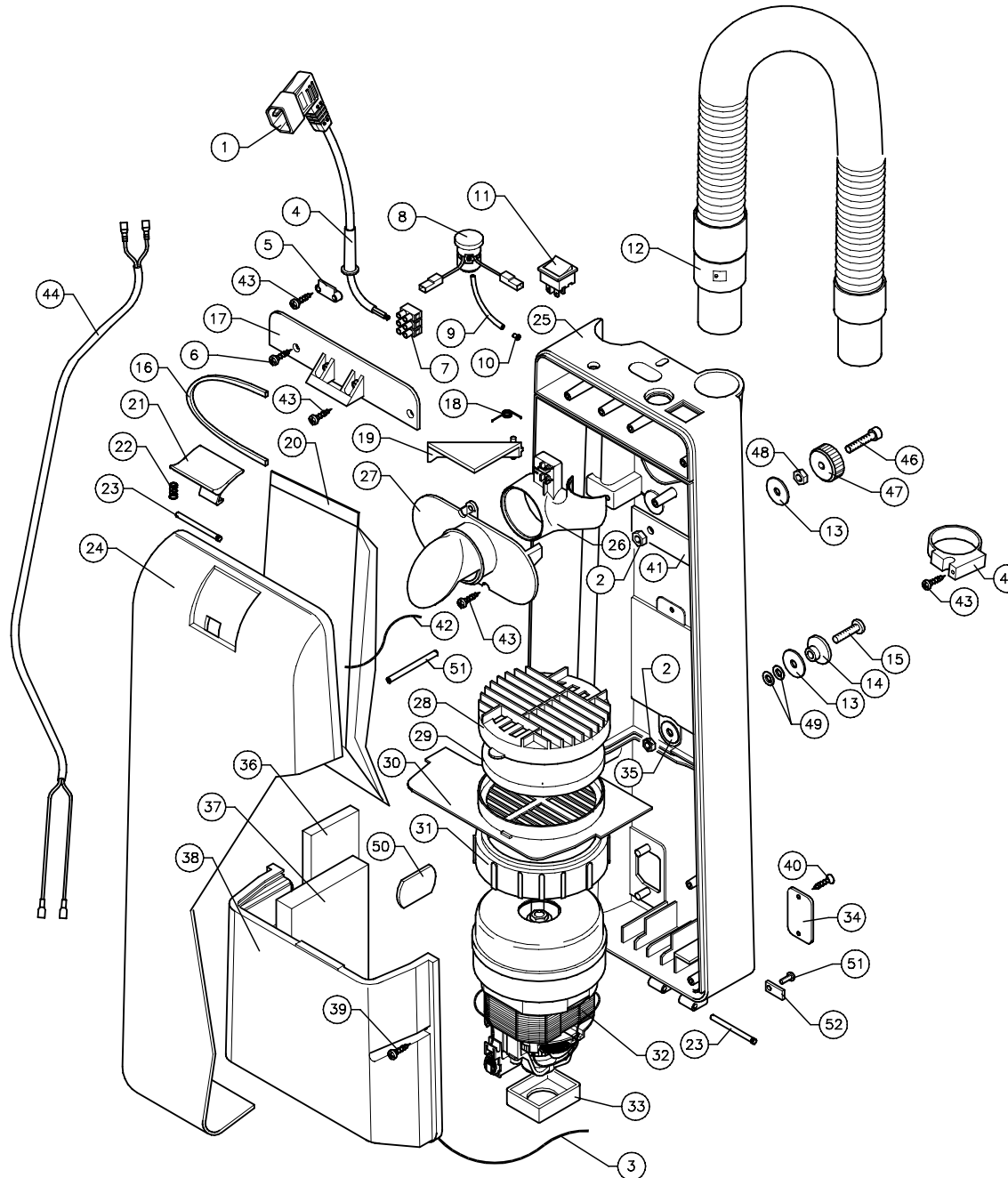




**DOWDING & PLUMMER Ltd.**

CALTHORPE HOUSE, STOCKFIELD ROAD,  
BIRMINGHAM B27 6AP – ENGLAND  
TEL: 0121-706-5771 FAX: 0121-708-1052

www.victorfloorcare.com



ITEM	PART No.	QTY.	DESCRIPTION
1	D1017	1	INPUT POWER CORD
2	-	2	M6 NUT & S.P. WASHER
3	SBI6190	1	3mm EXPANDED CORD SEAL
4	C1159	1	CABLE GROMMET
5	C1404	1	CABLE GRIP
6	M4X20CSK-SP	2	SCREW C/S 4 x 20mm SPAX
7	SBI6254	1	3 WAY TERMINAL BLOCK
8	SBI6182	1	BAG FULL INDICATOR
9	C1091	1	INDICATOR TUBE
10	C1092	1	BRASS EYELET
11	SBI6168	1	ON/OFF SWITCH
12	AYH2033	1	1.5M HOSE ASSY
13	-	2	WASHER 1/4"/D x 11/4"/D x 17swg
14	A1656/PLTD	1	QUICK RELEASE STUD
15	-	1	SCREW M6x30 PANHEAD
16	SBI6382	1	INLET NOZZLE DUST SEAL
17	B1350	1	CATCH PLATE
18	A2129	1	ARM SPRING
19	B1355	1	RED INDICATOR ARM
20	SBI5666	1	PAPER DUST BAG
21	B1352	1	CATCH
22	A2138	1	CATCH SPRING
23	C1037	3	HINGE PIN
24	B1351/RE	1	FRONT CASING (RED)
25	B1345	1	REAR CASING
26	C1053	1	INLET ADAPTOR
27	C1495	1	BAG INLET
28	B1348	1	FILTER COVER
29	C1072	1	FILTER (BAG BURST)
30	B1346	1	MOTOR MOUNTING PLATE
31	A2168	1	RUBBER MOUNTING RING
32	D0815	1	VAC MOTOR 240V
33	A2128	1	MOTOR MOUNTING PAD
34	C1031	1	MAINS BLANKING PLATE
35	-	1	WASHER 1/4"/D x 1"/D x 17swg
36	C1073	1	EXIT FILTER
37	C1074	1	BAFFLE FOAM
38	B1347	1	MOTOR COVER
39	M4X35BSP	4	SCREW PH 4 x 35mm SPAX
40	M3X12CSK-SP	2	SCREW C/S 3 x 12mm SPAX
41	A1659	1	LARGE REINFORCING PLATE
42	SBI6258/A	225mm	BLACK BRAIDED NYLON CORD
43	M4X20SP	7	SCREW PH 4 x 20mm SPAX
44	C4079	1	INTERCONNECTING CABLE VAC UNIT
45	C1776	1	SUCTION TUBE RETAINER
46	-	1	SOCKET CAP SCREW M6 x 30
47	A1655/PLTD	1	KNURLED NUT
48	-	3	M6 NUT
49	-	2	WASHER 1/4"/D x 1/2"/D x 22swg
50	D0147	1	SWITCH REPLACEMENT PLATE
51	-	1	M5x16 PP SCREW
51	A1658	1	HOSE RETAINER

A.G.D. 02/04/2007 PL453-1

WHEN ORDERING PLEASE QUOTE PART No. AND PART DESCRIPTION

2007 **Victor** RANGE

AYE5000

HANDLE MOUNTED EXHAUSTER UNIT – 230v