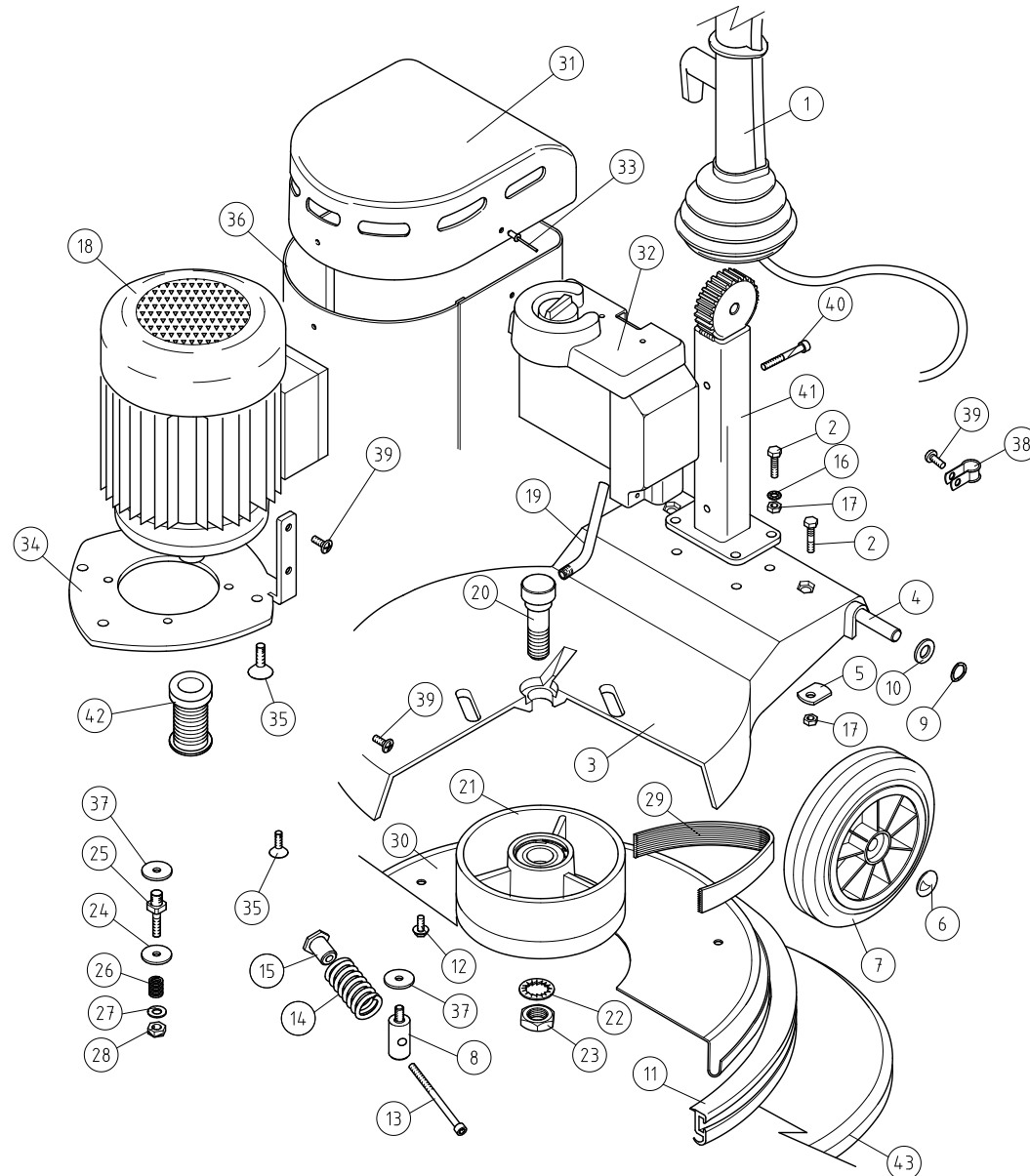




DOWDING & PLUMMER Ltd.

CALTHORPE HOUSE, STOCKFIELD ROAD,
BIRMINGHAM B27 6AP - ENGLAND
TEL: 0121-706-5771 FAX: 0121-708-1052

www.victorfloorcare.com



ITEM	PART No.	QTY.	DESCRIPTION
1	AYH1305	1	MULTISPEED INDUSTRIAL HANDLE ASSY.
2	M8X30BH	6	M8 x 30HEX HEAD SCREW
3	A1368/C/GH	1	450 BASE GREY HAMMER
4	A1878/PLTD	1	WHEEL AXLE PLATED
5	A1849	2	AXLE CLAMP
6	SB13005/A	2	12mm STARLOCK CAP
7	D1114	2	180mm WHEEL - BLACK
8	D1232	1	M10 MOTOR PILLAR STUD
9	SB13666	2	WAVEY WASHER - PLW4
10	M12W	2	12mm PLAIN WASHER
11	A1753/B/BL	1	54" Q/R BUFFER RING - BLACK
12	M6X12TT	5	M6 x 12 TAPTITE SCREW
13	A1864	1	BELT TENSIONING SCREW - M6x90
14	A1850	1	SPRING
15	A1865	1	SPRING RETAINER
16	M8WSP	4	M8 SPRING WASHER
17	M8N	4	M8 NUT
18	AYM4018	1	MULTISPEED MOTOR - 26mm PULLEY
19	D1228	1	WATER FEED PIPE
20	A1450/PLTD	1	PULLEY BOLT - PLATED
21	AYP1016	1	DIA.157mm OUTPUT PULLEY ASSEMBLY
22	M20WSH	1	M20 SHAKEPROOF WASHER
23	M20NH	1	M20 HALF NUT
24	A1378	3	WASHER (30x9x2.5mm)
25	D1321	3	MOTOR STUD
26	A2132	3	MOTOR STUD SPRING
27	M8W	3	M8 PLAIN WASHER
28	M8NSB	3	M8 STOVER NUT
29	SB16711	1	220J14 POLYVEE DRIVE BELT
30	B1054/GH	1	BRUSH COVER PRESSING - 450mm
31	D1280	1	MOTOR COVER
32	AYC3001	1	SPEED CONTROLLER ASSY.
33	SB17087	3	BLACK 'POP' RIVET
34	C4085/GH	1	EURO MOTOR MOUNTING PLATE
35	-	1	M8x20 C'SUNK SOCKET SCREW
36	D1272/C	1	MOTOR COWL
37	-	4	WASHER (30x10x2.5)
38	SB17096	1	10mm 'P' CLIP
39	-	5	M6 x 12 BLACK POZIDRIVE PANHEAD SCREW
40	-	2	M6 x 50 SOCKET CAP SCREW
41	D1250	1	HANDLE MOUNT BRACKET ASSEMBLY
42	Q1087	1	26mm MOTOR PULLEY FLANGED
43	VB45141	1	450 CENTREFLEX DRIVE BOARD

agd 01.12.09 PL456-3

WHEN ORDERING PLEASE QUOTE PART No. AND PART DESCRIPTION

2009 **Victor** RANGE

MULTISPEED INDUSTRIAL 17 c/w DRIVE BOARD

VR-MSI450