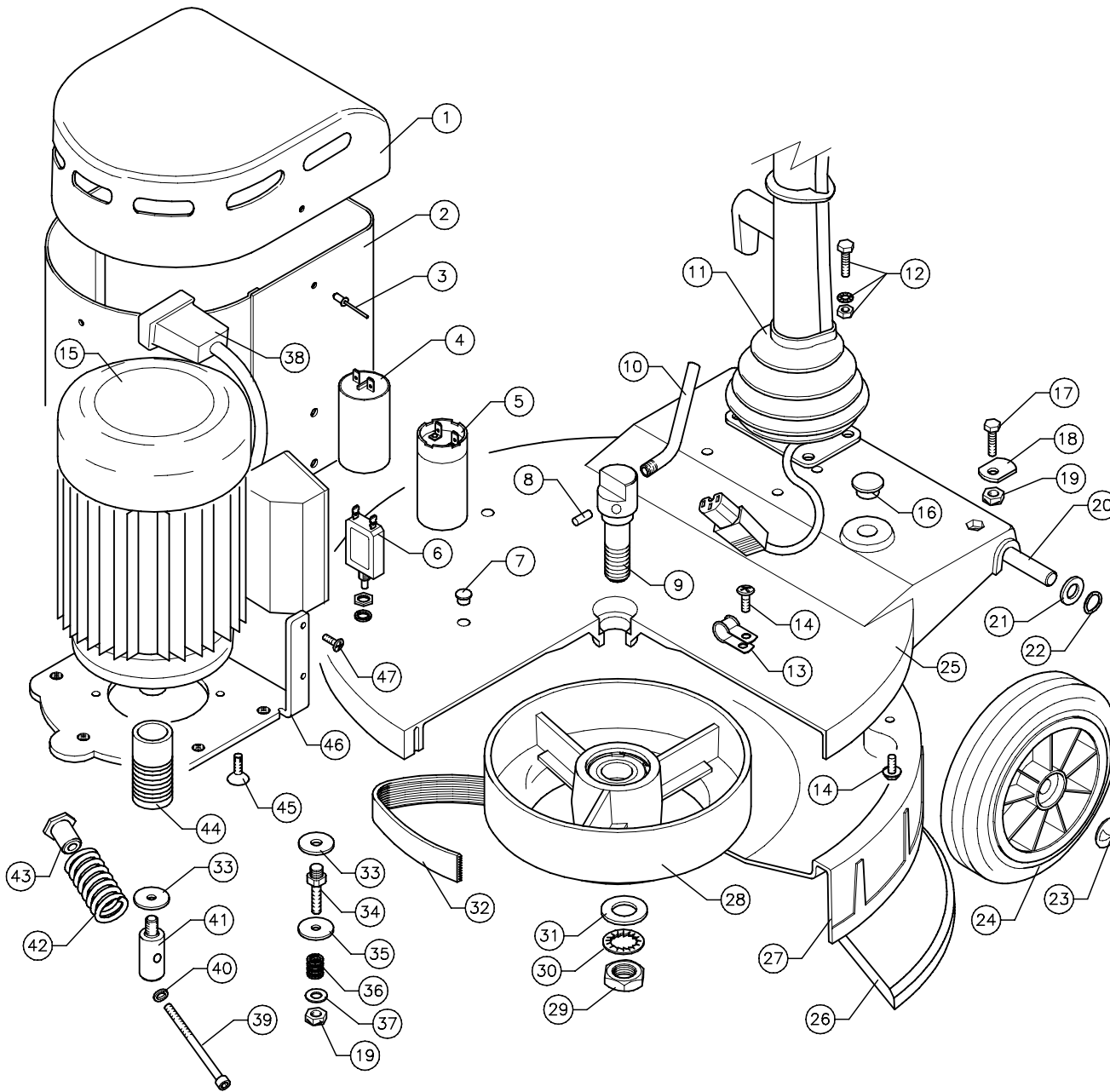




**DOWDING & PLUMMER Ltd.**

CALTHORPE HOUSE, STOCKFIELD ROAD,  
BIRMINGHAM B27 6AP – ENGLAND  
TEL: 0121-706-5771 FAX: 0121-708-1052

www.victorfloorcare.com



ITEM	PART No.	QTY.	DESCRIPTION
1	D1280	1	MOTOR COVER
2	D1272/C	1	MOTOR COWL
3	SBI7087	3	BLACK RIVET
4	SBI7211	1	20 TO 30MFD RUN CAPACITOR
5	SBI5227	1	80MFD START CAPACITOR
6	SBI5499	1	CIRCUIT BREAKER 7AMP
7	SBI6655	2	PLASTIC PLUG 12.3mm DIA.
8	SBI5550	1	SELOCK PIN
9	D1348	1	TROJAN PULLEY BOLT
10	D1228	1	WATER FEED PIPE
11	AYH1817	1	CONTRACT/PRO HANDLE ASSEMBLY
12	-	4	M8x30 HEX BOLT ,NUT & SPRING WASHER
13	SBI7080	1	6mm 'P' CLIP
14	-	6	M6x20 TAPTITE SCREW
15	AYM4000	1	750w MOTOR ASSEMBLY
16	SBI6652	1	PLASTIC PROTECTION PLUG
17	-	2	M8x35 HEX HEAD SCREW
18	A1849	2	AXLE CLAMP
19	-	5	M8 BINX NUT
20	A1299/PLTD	1	WHEEL AXLE – PLATED
21	-	2	12.5mm PLAIN WASHER
22	SBI3666	2	WAVEY WASHER
23	SBI3005/A	2	STARLOCK CAP
24	D1114	2	180mm WHEEL BLACK
25	B1130/GH	1	TROJAN BASE CASTING
26	VB50142	1	500 CENTREFLEX DRIVE BOARD
27	B1126	1	TROJAN UNDERSIDE COVER
28	AYP1021	1	215mm DRIVE PULLEY
29	-	1	M20 HALF NUT
30	-	1	M20 SHAKEPROOF WASHER
31	-	1	M20 PLAIN WASHER
32	SBI5768	1	DRIVE BELT POLY VEE 280J16
33	-	4	M10x30 PLAIN WASHER
34	D1321	3	M10 MOTOR STUD
35	A1378	7	WASHER (30x9x2.5)
36	A2132	3	MOTOR STUD SPRING
37	-	3	M8 PLAIN WASHER
38	D1214	1	SOCKET LEAD
39	A1864	1	BELT TENSION SCREW
40	-	1	M6 PLAIN WASHER
41	D1322	1	M10 MOTOR PILLAR STUD
42	A1850	1	BELT TENSION SPRING
43	A1865	1	SPRING RETAINER
44	D1215	1	26mm MOTOR PULLEY
45	-	4	M6x16 COUNTERSUNK HEAD SOCKET SCREW
46	C4089	1	D80 – TROJAN MOTOR MOUNTING PLATE
47	-	4	M6x12 POZIDRIVE PANHEAD SCREW – BLACK

A.G.D. 11/04/2007 PL465-1

WHEN ORDERING PLEASE QUOTE PART No. AND PART DESCRIPTION

2007 **Victor** RANGE

VR-T500

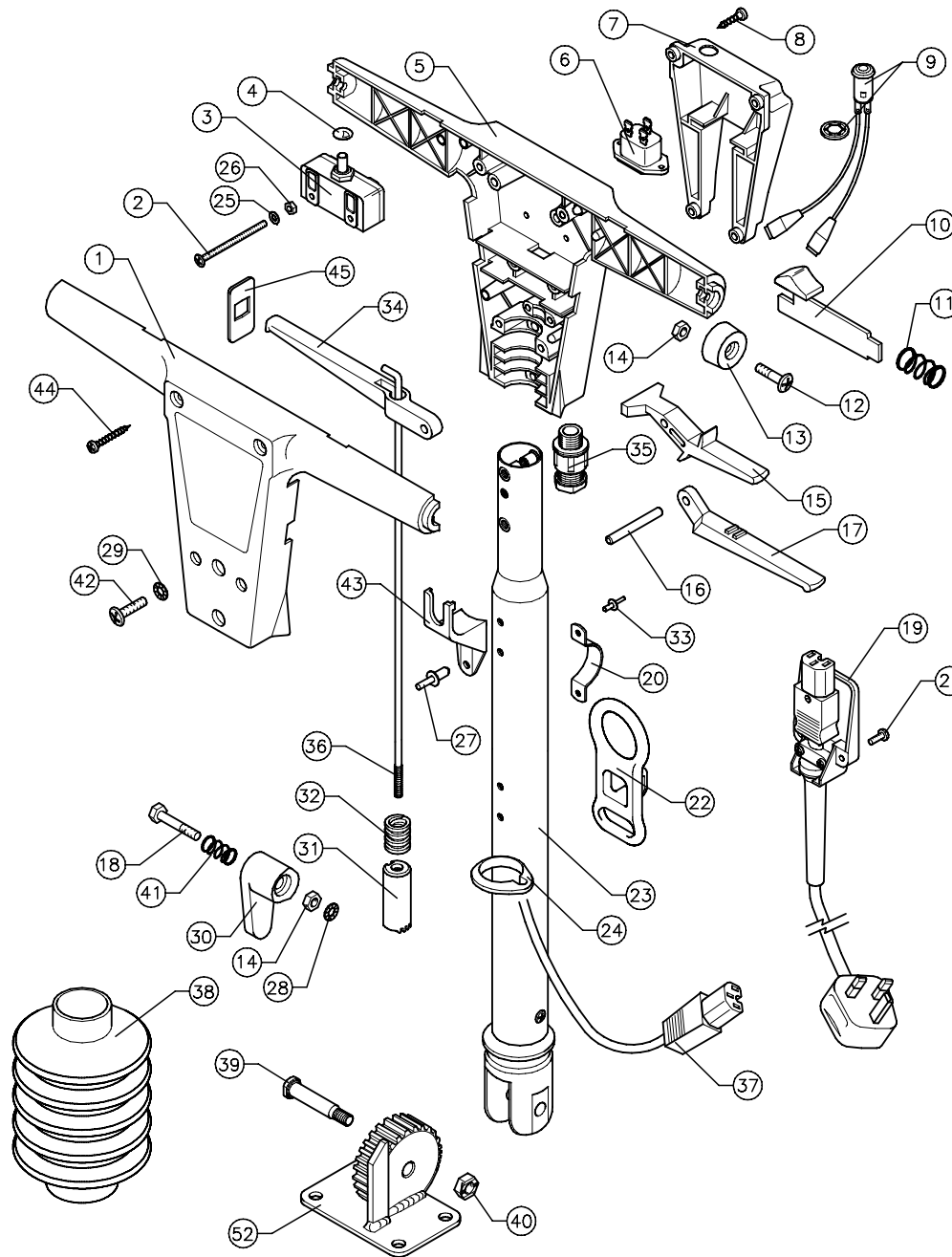
TROJAN 500 HEAVY DUTY c/w DRIVE BOARD



**DOWDING & PLUMMER Ltd.**

CALTHORPE HOUSE, STOCKFIELD ROAD,  
BIRMINGHAM B27 6AP – ENGLAND  
TEL: 0121-706-5771 FAX: 0121-708-1052

www.victorfloorcare.com



ITEM	PART No	QTY.	DESCRIPTION
1	SBI3759/BL	1	SWITCH BOX FRONT HALF
2	M4X55PP	2	M4X55 POZIPAN SCREW
3	SBI3738	2	SINGLE POLE ON/OFF SWITCH
4	SBI3744	2	1/4" STARLOCK CAP
5	SBI3758/BL	1	SWITCH BOX BACK HALF
6	SBI3650	1	INLET SOCKET
7	A1001/BL	1	HANDLE SOCKET BOX
8	-	4	No10 x 3/4" BLACK PLASTITE SCREW
9	SBI5836	1	NEON LIGHT 200/250V GREEN
10	A1621	2	TRIGGER RELEASE MOULDING
11	A1620	2	TRIGGER RELEASE SPRING
12	-	2	M6x20 BLACK POZIPAN SCREW
13	SBI3764/BL	2	HANDLE END CAP
14	M6N	3	M6 FULL NUT
15	SBI3760/BL	2	HANDLE SWITCH LEVER – BLACK
16	A1141	3	HANDLE LEVER PIVOT PIN
17	C1412/BL	1	HANDLE FLUID LEVER – BLACK
18	-	1	M6 x 30 HEX HEAD BOLT
19	D1000	1	CABLE ASSEMBLY HIGH VIZ YELLOW (U.K. PLUG)
20	A1649/BL	1	CABLE RESTRAINT BRACKET
21	M4X10CHS	2	M4 x 10 SLOTTED CHEESE HEAD SCREW
22	D0550	1	CABLE RESTRAINT
23	AYT2009	1	DOWN TUBE ASSY
24	A1854	2	CABLE RETENTION RING
25	M4SH	2	M4 SHAKEPROOF WASHER
26	M4N	2	M4 NUT
27	SBI5424	4	'POP' RIVET 3/16" x 1/2" LONG
28	M6WSP	1	M6 SPRING WASHER
29	M6SH	4	M6 SHAKEPROOF WASHER
30	D0390	1	CORD HOOK
31	A1741	1	HANDLE POSITION SELECTOR
32	A1743	1	SELECTOR SPRING
33	SBI5772	2	'POP' RIVET ø3.2 x 8 (1/8" x 5/16")
34	SBI3761/BL	1	HANDLE ADJUSTMENT LEVER – BLACK
35	SBI3373	1	COMPRESSION GLAND
36	A1852	1	800mm INSIDE BEND PULL ROD
37	D1218	1	DOWNLEAD AND PLUG ASSY.
38	D0429	1	BELLEWS
39	A1896	1	PIVOT BOLT
40	-	1	M8 BINX NUT
41	SBI6423	1	SPRING
42	-	4	M6 x 25 BLACK POZIPAN SCREW
43	B1062	2	BRACKET (QUICK RELEASE)
44	IN10X1.1-2PP	4	No 10 x 1 1/2" POZIPAN
45	SBI3763/BL	2	HANDLE LEVER ENTRY SHIELD

A.G.D. 05/04/2007 PL460-1

WHEN ORDERING PLEASE QUOTE PART No. AND PART DESCRIPTION

2007 **Victor** RANGE

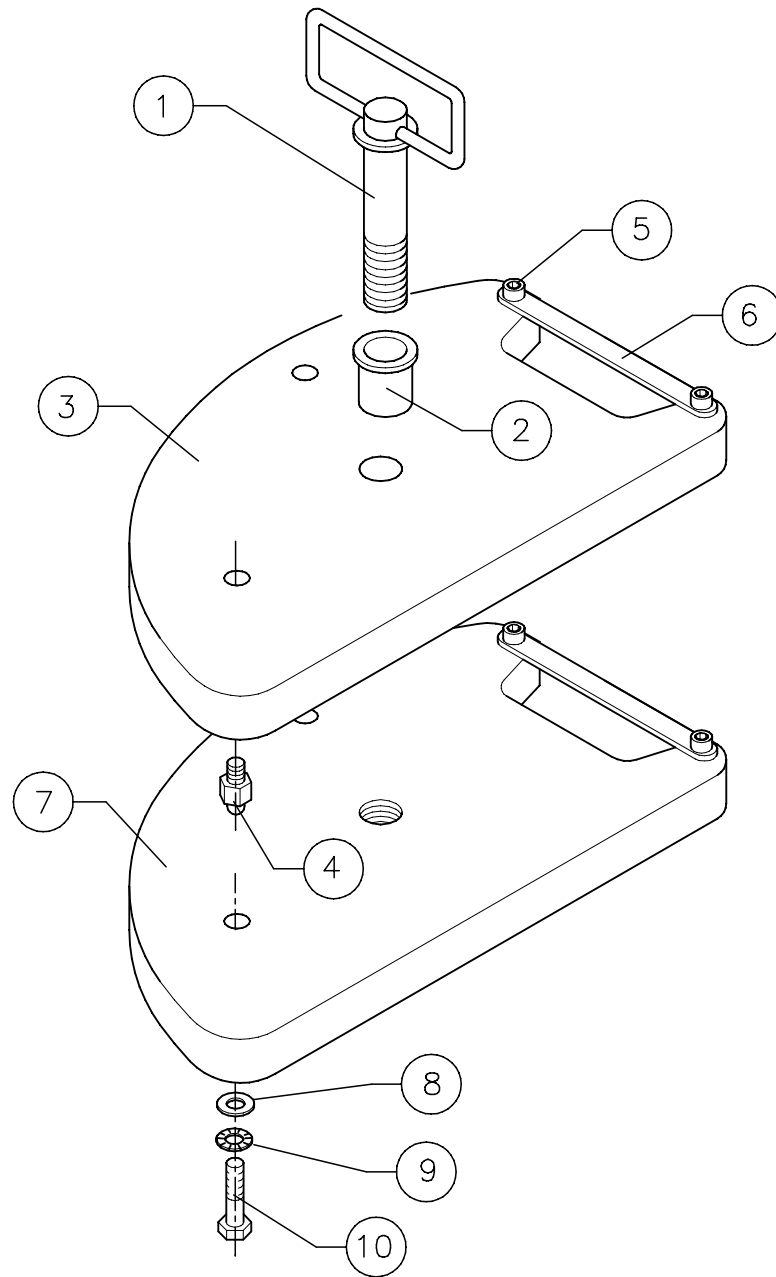
AYH1817

HANDLE ASSEMBLY FOR PRO SERIES (U.K. PLUG AND LEAD)



DOWDING & PLUMMER Ltd.

CALTHORPE HOUSE, STOCKFIELD ROAD,  
BIRMINGHAM B27 6AP – ENGLAND  
TEL: 0121-706-5771 FAX: 0121-708-1052  
www.victorfloorcare.com



ITEM	PART No.	QTY.	DESCRIPTION
1	A1961	1	CENTRE PIN AND HANDLE
2	A1456	1	SLEEVE
3	B1381	1	10kG UPPER WEIGHT
4	A2038	2	LOCATION PEG
5	–	4	M6x20 SOCKET CAP SCREW
6	C4124	2	LIFTING HANDLE
7	B1382	1	10Kg BOTTOM WEIGHT
8	–	1	M8 PLAIN WASHER
9	–	1	M8 SHAKEPROOF WASHER
10	–	1	M8x20 HEX HEAD SCREW

NOTE  
A FURTHER 10Kg WEIGHT (B1381) MAY BE ADDED  
IF THE SLEEVE (A1456) IS REMOVED