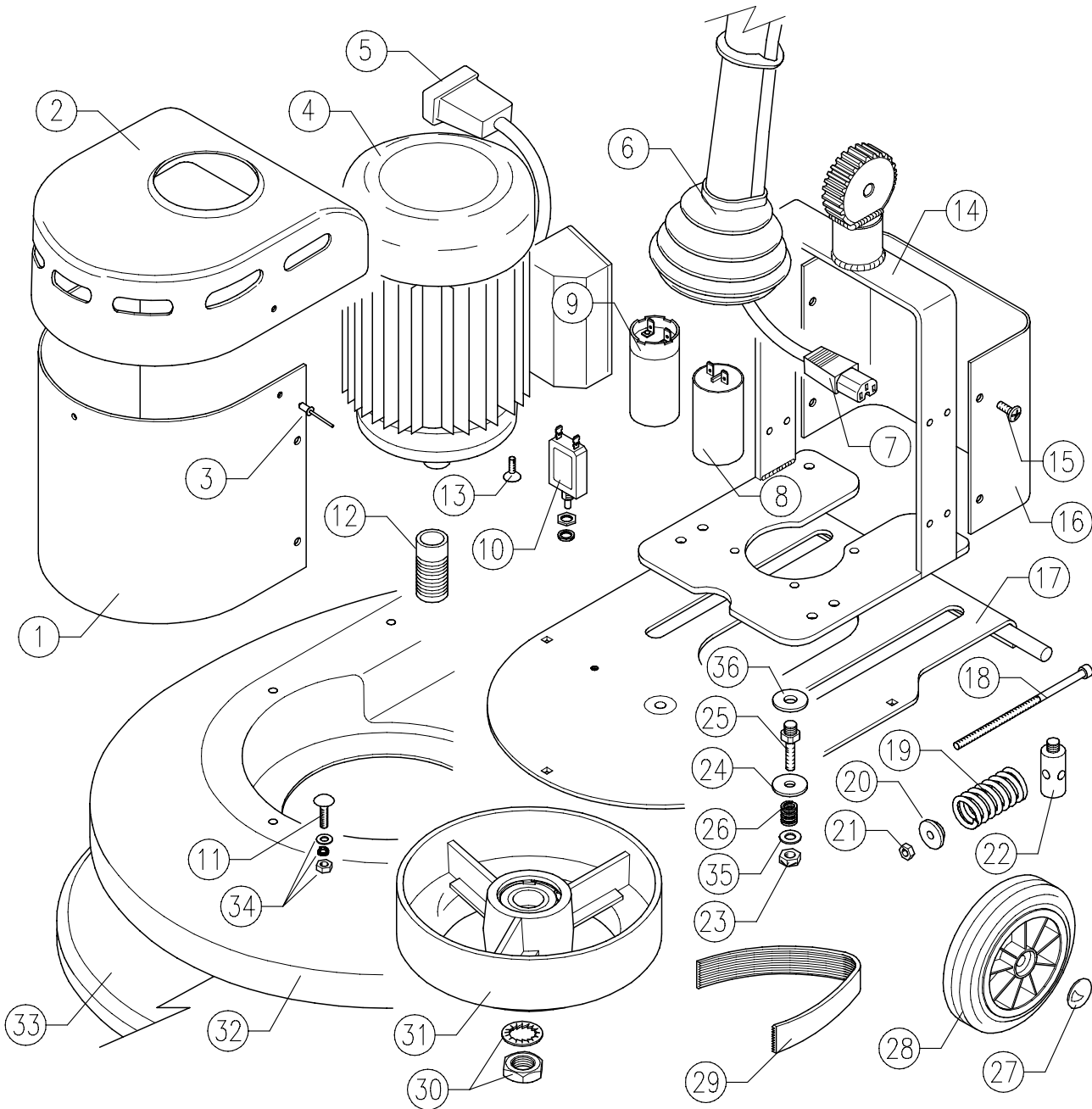




DOWDING & PLUMMER Ltd.

CALTHORPE HOUSE, STOCKFIELD ROAD,
BIRMINGHAM B27 6AP - ENGLAND
TEL: 0121-706-5771 FAX: 0121-708-1052

www.victorfloorcare.com



ITEM	PART No.	QTY.	DESCRIPTION
1	C4138	1	MOTOR COWL - FRONT
2	C4131	1	MOTOR TOP
3	SBI7087	1	BLACK RIVET
4	AYM4000	1	750w MOTOR ASSY. 26mm PULLEY
5	D1214	1	SOCKET LEAD
6	AYH1245	1	W400 HANDLE ASSEMBLY
7	D1218	1	DOWNLEAD AND PLUG ASSEMBLY
8	SBI7211	1	RUN CAPACITOR 20 TO 30MFD
9	SBI5227	1	START CAPACITOR 80MFD
10	SBI5499	1	CIRCUIT BREAKER 7AMP
11	-	5	M6x25 BLACK CARRIAGE BOLT
12	C4245	1	26mm MOTOR PULLEY
13	-	4	M6x16 C'SUNK SOCKET SCREW
14	C4228	1	D80 MOTOR MOUNTING FRAME
15	-	8	M6x12 BLACK PANHEAD SCREW
16	C4138	1	MOTOR COWL - REAR
17	C4227	1	BASE ASSEMBLY
18	-	1	M6x150 SOCKET CAP SCREW
19	A1850	1	BELT TENSION SPRING
20	A1151	1	SPRING LOCATOR
21	-	1	M6 NUT
22	D1322	1	MOTOR PILLAR STUD
23	-	4	M8 BINX NUT
24	A1378	4	PLAIN WASHER $\phi 30 \times \phi 9 \times 2.5$
25	C4248	3	M10 MOTOR STUD
26	A2132	3	MOTOR STUD SPRING
27	SBI3005/A	2	12mm STARLOCK CAP
28	SBI6742	2	150mm WHEEL - BLACK
29	SBI5768	1	DRIVE BELT 280 J 16
30	-	1	M20 HALF NUT & SP WASHER
31	AYP1021	1	$\phi 215$ mm OUTPUT PULLEY ASSEMBLY
32	C4133	1	15" BRUSH COVER MOULDING
33	VB40142	1	400mm FLAT DRIVE BOARD
34	-	5	M6 NUT, PLAIN & SPRING WASHERS
35	-	3	M8 PLAIN WASHER
36	-	4	M10x30 PLAIN WASHER

A.G.D. 05/07/2007 PL483

WHEN ORDERING PLEASE QUOTE PART No. AND PART DESCRIPTION

2007 **Victor** RANGE

VR-W400

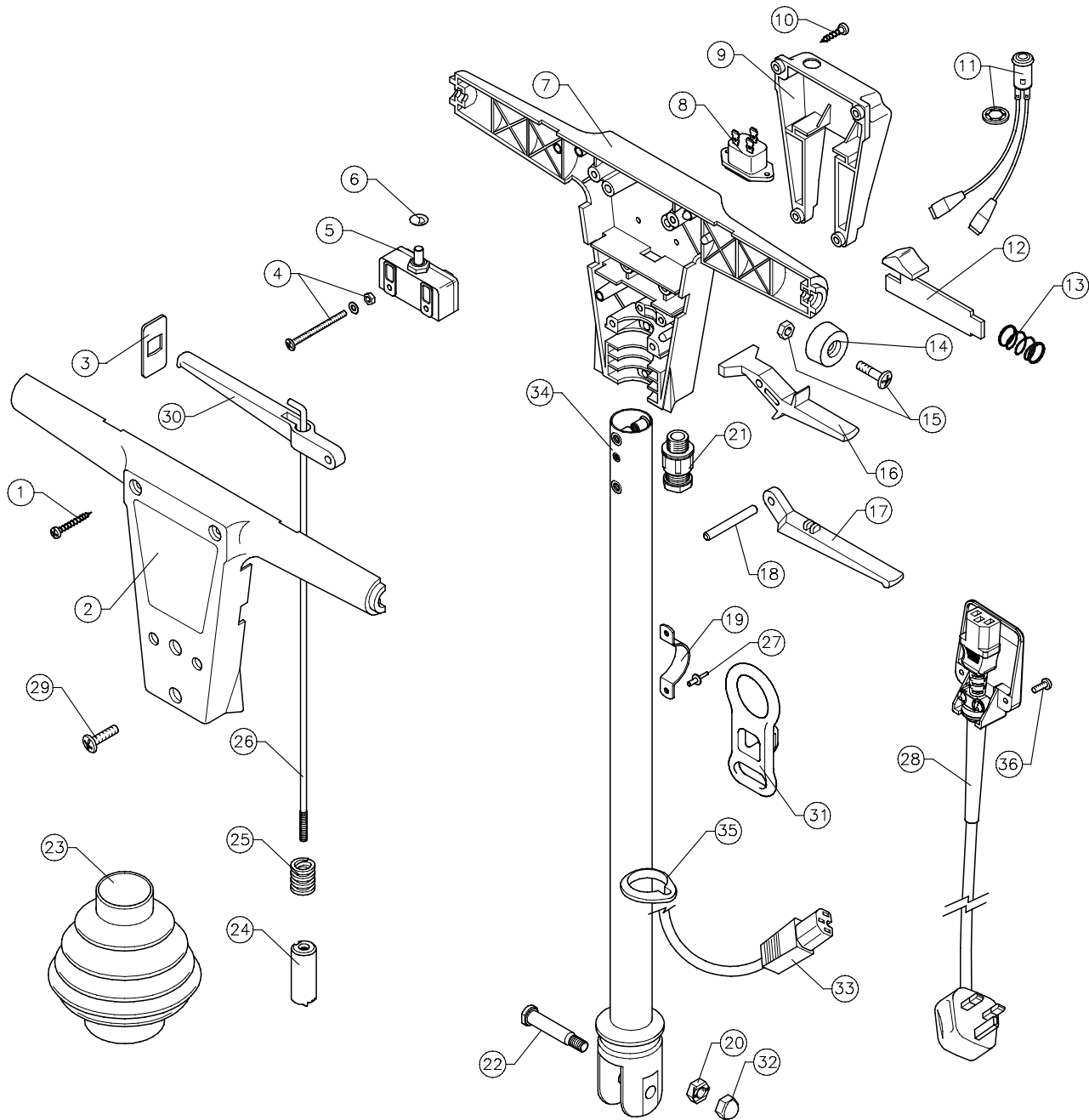
WOLF 400 - 180RPM c/w DRIVE BOARD - 230v



DOWDING & PLUMMER Ltd.

CALTHORPE HOUSE, STOCKFIELD ROAD,
BIRMINGHAM B27 6AP – ENGLAND
TEL: 0121-706-5771 FAX: 0121-708-1052

www.victorfloorcare.com



ITEM	PART No.	QTY.	DESCRIPTION
1	IN10X1.1-2PP	4	SCREW S.T. No.10 x 1 1/2"
2	SBI3759/BL	1	SWITCH BOX MOULDING – FRONT
3	SBI3763/BL	2	LEVER ENTRY SHIELD
4	-	2	M4x55mm SCREW, NUT ,PLAIN & S.P. WASHER
5	SBI3738	2	SINGLE POLE ON/OFF SWITCH
6	SBI3744	2	SPRING CAP 1/4"
7	SBI3758/BL/B	1	SWITCH BOX MOULDING – REAR
8	SBI3650	1	INLET SOCKET
9	A1001/BL	1	SOCKET BOX MOULDING
10	IN10X3-4PT	4	SCREW S.T. No.10 x 3/4"
11	SBI5836	1	200/250v NEON LIGHT & RETAINING RING
12	A1621/BL	2	TRIGGER RELEASE SLIDE
13	A1620	2	SPRING ø17x25
14	SBI3764/BL	2	HANDLE END CAP
15	-	2	SCREW M6x20 P.H. & NUT
16	SBI3760/BL	2	SWITCH LEVER
17	C1412/BL	1	FLUID LEVER
18	A1141	3	LEVER PIVOT PIN
19	A1649/BL	2	CABLE RESTRAINT BRACKET
20	M8NSB	1	NUT – M8 BINX
21	SBI3373	1	M16 COMPRESSION GLAND
22	A1896	1	PIVOT BOLT
23	D0429	1	BELLOWS
24	A1741	1	GEAR SELECTOR
25	A1743	1	SELECTOR SPRING
26	C4238	1	PULL ROD – 655 LONG
27	SBI7106	2	'POP' RIVET ø3.2 x 8 (1/8" x 5/16")
28	D1000	1	HIGH VIZIBILITY CABLE PACK
29	-	4	SCREW M6 x 25 POZIPAN
30	SBI3761/BL	1	HANDLE ADJUSTMENT LEVER
31	D0550	1	CABLE RESTRAINT
32	-	1	M8 DOME NUT
33	D1218	1	DOWNLEAD AND PLUG ASSEMBLY
34	C4233	1	HANDLE DOWN TUBE ASSY. (625 LONG)
35	A1854	1	CABLE RETAINING RING
36	-	2	SCREW M4 x 10 CHEESE HEAD SLOTTED

A.G.D. 05/07/2007 PL484-1

WHEN ORDERING PLEASE QUOTE PART No. AND PART DESCRIPTION

2007 **Victor** RANGE

AYH1245

WOLF HANDLE ASSEMBLY