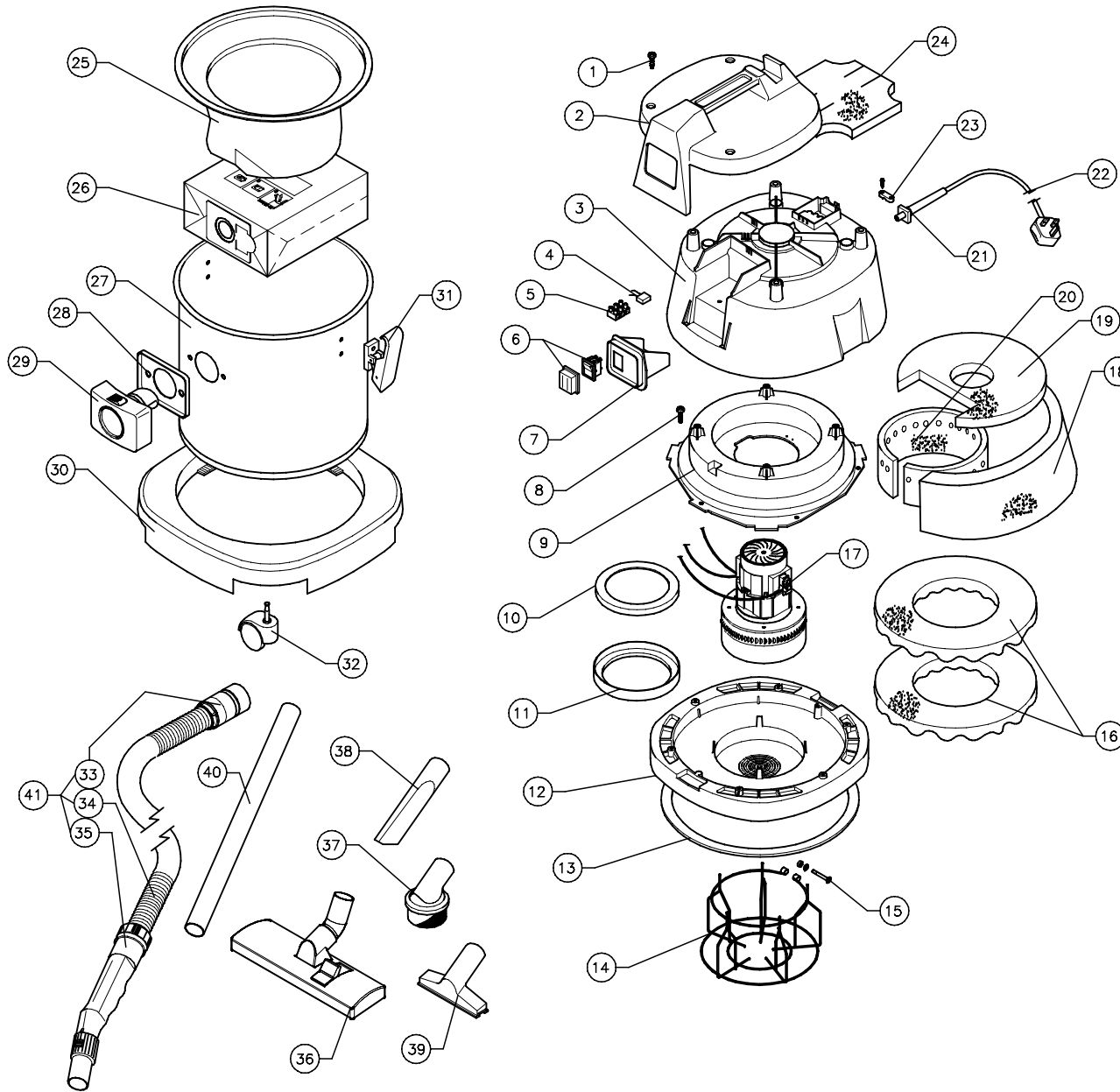




DOWDING & PLUMMER Ltd.

CALTHORPE HOUSE, STOCKFIELD ROAD,
BIRMINGHAM B27 6AP – ENGLAND
TEL: 0121-706-5771 FAX: 0121-708-1052

www.victorfloorcare.com



ITEM	PART No.	QTY.	DESCRIPTION
1	–	8	ST SCREW 5x20
2	SBI7118	1	TOP COVER AND HANDLE
3	SBI7124	1	MOTOR ENCLOSURE
4	SBI7123	1	SUPPRESSOR
5	SBI7122	1	3-WAY TERMINAL BLOCK
6	SBI7126	1	ON/OFF SWITCH
7	SBI7125	1	SWITCH HOUSING
8	–	6	ST SCREW 5x20
9	SBI7130	1	MOTOR RETAINING MOULDING
10	SBI7131	1	UPPER MOTOR RETAINING RING
11	SBI7196	1	LOWER MOTOR MOUNTING RING
12	SBI7134	1	MOTOR MOUNTING MOULDING
13	SBI7135	1	SEAL RING
14	SBI7149	1	15L FLOAT CAGE
15	–	1	M5x50 PH SCREW, NUT & WASHERS
16	SBI7133	2	2 PART BAFFLE SET
17	SBI7132	1	BYPASS MOTOR 1000w 230v
18	SBI7128	1	SURROUND BAFFLE
19	SBI7127	1	MOTOR BAFFLE
20	SBI7129	1	MOTOR SURROUND BAFFLE
21	SBI7120	1	CABLE GROMMET SLEEVE
22	SBI7195	6.5M	3-CORE CABLE & 13A PLUG ASSY.
23	SBI7121	1	CABLE CLAMP
24	SBI7119	1	MOTOR ENCLOSURE TOP BAFFLE
25	SBI7136	1	15L DRY FILTER ASSY.
26	SBI5520	1	9L PAPER FILTER DUST BAG
27	SBI7140	1	15L STAINLESS CANNISTER
28	SBI7141	1	CANISTER INLET GASKET
29	SBI7142	1	HOSE INLET ASSY.
30	SBI7146	1	15L/30L PLASTIC CHASSIS
31	SBI7139	2	CANISTER CLIP
32	SBI7147	4	15L/30L CASTOR WHEEL
33	SBI7171	1	36mm RIGID HOSE END
34	SBI7169	2.5M	36mm HOSE ONLY
35	SBI7170	1	36mm 30 DEGREE BEND
36	SBI7173	1	36mm COMBINED FLOOR TOOL
37	SBI7175	1	36mm ROUND DUSTING BRUSH
38	SBI7174	1	36mm CREVICE NOZZLE
39	SBI7176	1	36mm UPHOLSTERY TOOL
40	SBI7172	2	36mm STEEL EXTENSION TUBE
41	AYH2047	1	36mm WANDERING HOSE ASSY.

A.G.D. 21/03/2007 PL432-2

WHEN ORDERING PLEASE QUOTE PART No. AND PART DESCRIPTION

2007 **Victor** RANGE

V-D9

9Ltr STAINLESS STEEL DRY TUB VAC WITH FULL TOOL SET