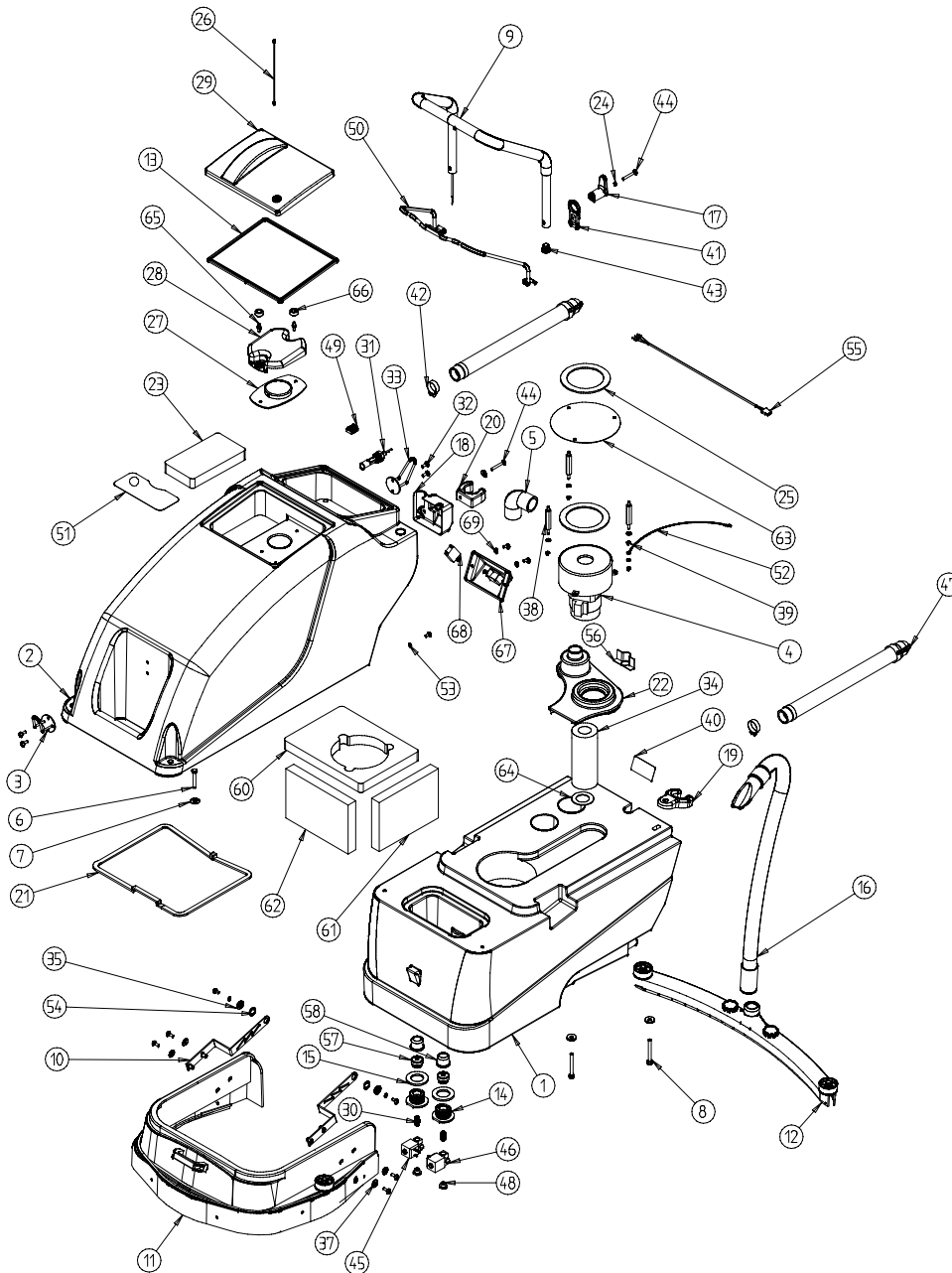




DOWDING & PLUMMER Ltd.

CALTHORPE HOUSE, STOCKFIELD ROAD,
BIRMINGHAM B27 6AP – ENGLAND
TEL: 0121-706-5771 FAX: 0121-708-1052

www.victorfloorcare.com



ITEM	PART No.	QTY.	DESCRIPTION	ITEM	PART No.	QTY.	DESCRIPTION
1	D0035	1	BOTTOM TANK	36	M6X12PPSS	3	M6X12 POZIPAN SCREW ST ST
2	D0036	1	TOP TANK	37	I1-4X3-4WB	5	1/4"x3/4" PLAIN WASHER BLACK
3	D0047	1	BRUSH HOLDER BRACKET	38	D0165	3	MOTOR FIXING STUD
4	SBI6582	1	VAC MOTOR	39	M6NSS	4	M6 NUT STAINLESS STEEL
5	C1437	1	MOULDED ELBOW	40	C1386	1	SERIAL NUMBER LABEL
6	M8X50HH-SS	2	M8X50 HEXAGON HEAD BOLT	41	D0550	1	CABLE RESTRAINT
7	M8X25ODWSS	4	M8 x 25 WASHER ST ST	42	SBI6442	2	HOSE CLIP
8	M8X70HH-SS	2	M8X70 HEXAGON HEAD BOLT	43	SBI6395	1	TUBE END PLUG
9	AYH1813	1	HANDLE ASSEMBLY	44	M6X45PPB	2	M6x45 POZIPAN SCREW BLACK
10	D0169	2	SPRAY GUARD BRACKET ASSY	45	SBI6630	1	SOLENOID 4mm ORIFICE
11	AYS1020	1	SPRAY GUARD ASSEMBLY	46	SBI6559	1	SOLENOID 3mm ORIFICE
12	AYN1003	1	SQUEEGEE ASSEMBLY	47	AYH2037	2	DUMP HOSE ASSEMBLY
13	D0246	1	TOP TANK COVER SEAL	48	D0690	2	SOLENOID ADAPTOR
14	D0084	2	SOLENOID TO TANK PLUG	49	SBI6467	1	3 WAY TERMINAL BLOCK
15	D0085	2	SOLENOID PLUG GASKET	50	AYH1814	1	CUT OUT BAR ASSEMBLY
16	AYH2036	1	SQUEEGEE HOSE ASSEMBLY	51	AYF1001	1	CLEAN WATER FILTER ASSY
17	D0390	1	CABLE HOOK	52	C1863	1	EARTH CABLE
18	D0182	1	FLOAT SWITCH COVER	53	M6WSH	4	M6 SHAKEPROOF WASHER
19	D0184	1	DUMP HOSE CLIP CLEAN	54	SBI3666	2	WAVEY WASHER - PLW4
20	D0183	1	DUMP HOSE CLIP RECOVERY	55	D0258	1	3 PIN PLUG CUT-OUT CABLE
21	SBI6644	1	VAC MOTOR CHAMBER GASKET	56	D0273	1	WIRING LOOM CLIP
22	AYM1406	1	MAINFOLD ASSEMBLY	57	D0268	2	FILTER/SOLENOID PLUG ADAPTOR
23	D0196	2	RECOVERY TANK SPLASH FOAM	58	SBI6814	2	MICRO MESH FILTER ST ST
24	M6WSP	1	M6 SPRING WASHER	59	M6WSS	3	M6 PLAIN WASHER ST ST
25	D0150A	2	MOTOR SEAL	60	D0304	1	MOTOR ENCLOSURE FOAM
26	SBI6258	1	NYLON CORD	61	D0305	2	MOTOR ENCLOSURE FOAM
27	D0475	1	AIR INTAKE BASE ASSY	62	D0306	2	MOTOR ENCLOSURE FOAM
28	D0207	1	AIR INTAKE COVER	63	D0172	1	VAC MOTOR EARTH GRILL
29	D0077	1	TOP TANK COVER	64	D0427	2	FOAM RETAINING RING
30	SBI6649	2	1/4 TO 1/4 BSP NIPPLE	65	D0474	2	AIR INTAKE STUD
31	SBI6560	1	WATER LEVEL SENSOR	66	SBI6836	2	KNOB M6
32	M6X16PPB	10	M6x16 POZIPAN SCREW BLACK	67	D0529	1	CABLE ENTRY PLATE ASSY.
33	D0214	1	CABLE HOOK	68	SBI5499	1	RESET BUTTON 7 AMP
34	D0745	2	EXHAUST FOAM	69	M6WB	2	M6 PLAIN WASHER BLACK
35	D0170	2	SPRAY GUARD BRACKET BUSH				

A.G.D. 04/06/2007 PL479-A

WHEN ORDERING PLEASE QUOTE PART No. AND PART DESCRIPTION

2007 **Victor** RANGE

V-SD40

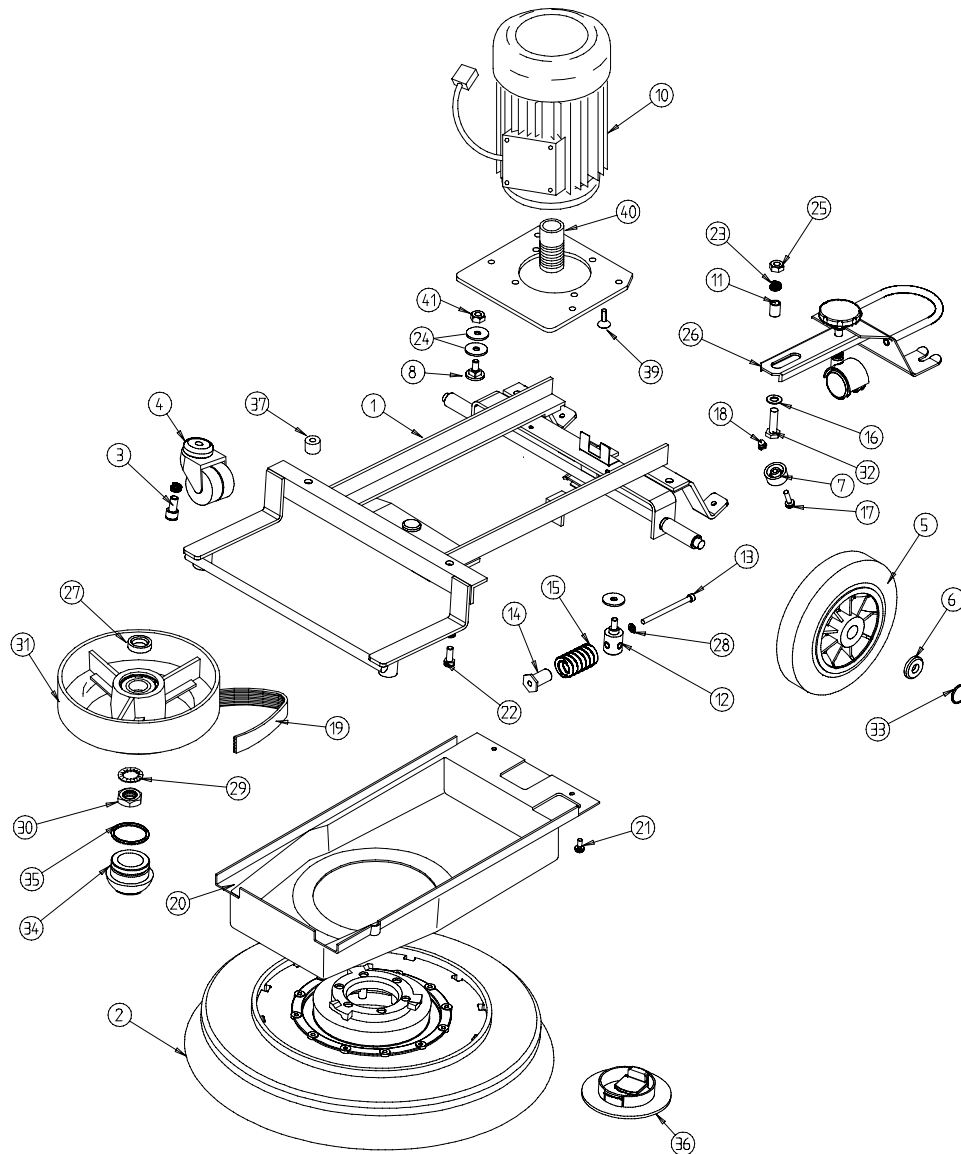
SD40 SCRUBBER DRIER - TOP & BOTTOM TANKS



DOWDING & PLUMMER Ltd.

CALTHORPE HOUSE, STOCKFIELD ROAD,
BIRMINGHAM B27 6AP – ENGLAND
TEL: 0121-706-5771 FAX: 0121-708-1052

www.victorfloorcare.com



NOTE
ITEM No 36 PAD RETAINING CLIP SBI6703 TO
BE USED WITH FLOOR PAD ASSEMBLY VB50520

ITEM	PART No.	QTY.	DESCRIPTION	ITEM	PART No.	QTY.	DESCRIPTION
1	D0031	1	FRAME SUB ASSEMBLY	32	-	1	M10X35 HEX HEAD BOLT ST
2	VB50350	1	DRIVE BOARD ASSEMBLY	33	SBI3005/A	2	STARLOCK END CAP
3	-	2	M10x20 SOCKET CAP SCREW STAINLESS STEEL	34	D0260	1	CATCH PLATE GUIDE
4	SBI6545	2	CASTOR	35	SBI6697	1	'O' RING
5	SBI6563	2	8" DIA WHEEL	36	SBI6703	1	PAD RETAINING CLIP
6	D0177	2	WHEEL RETAINING CAP	37	D1357	4	FRAME SPACER
7	SBI3764BL	2	CAP	38	D9088	1	MOTOR MOUNTING PLATE
8	D0402	3	MOTOR MOUNTING STUD	39	-	4	M8x20 C'S SOCKET SCREW
9	M8WSS	4	M8 WASHER STAINLESS STEEL	40	D0991	1	32mm MOTOR PULLEY
10	AYM4010	1	1.5kw DRIVE MOTOR ASSEMBLY	41	-	4	M8 BINX NUT
11	C1611	1	SPACER BUSH				
12	A2064	1	MOTOR PILLAR STUD				
13	A1864	1	M6X90 SOCKET CAP SCREW				
14	A1865	1	SPRING RETAINER				
15	A1850	1	SPRING 30X50				
16	M10WSS	1	M10 WASHER ST STEEL				
17	M6X20PPSS	2	M6X20 POZIPAN ST ST				
18	M6NDSS	2	M6 DOME NUT ST STEEL				
19	SBI7116	1	DRIVE BELT 290J14				
20	D1358	1	BELT COVER				
21	M6X12PPSS	2	M6X12 POZIPAN SCREW ST ST				
22	M8X20HHSS	4	M8X35 HEX HD BOLT STAINLESS				
23	M10WSPSS	3	M10 SPRING WASHER ST ST				
24	A1378	8	WASHER				
25	M10NSS	1	M10 NUT STAINLESS STEEL				
26	AYS3002	1	SQUEEGEE CONNECTING BAR ASSEMBLY				
27	A2062	1	SPACER RING				
28	M6W	1	M6 PLAIN WASHER				
29	M20WSH	1	M20 SHAKE PROOF WASHER				
30	M20HN-SS	1	M20 STAINLESS STEEL HALF NUT				
31	AYP1038	1	215mm DRIVE PULLEY ASSEMBLY				

A.G.D.

11/06/2007

PL480-A

WHEN ORDERING PLEASE QUOTE PART No. AND PART DESCRIPTION

2007 **Victor** RANGE

V-SD40

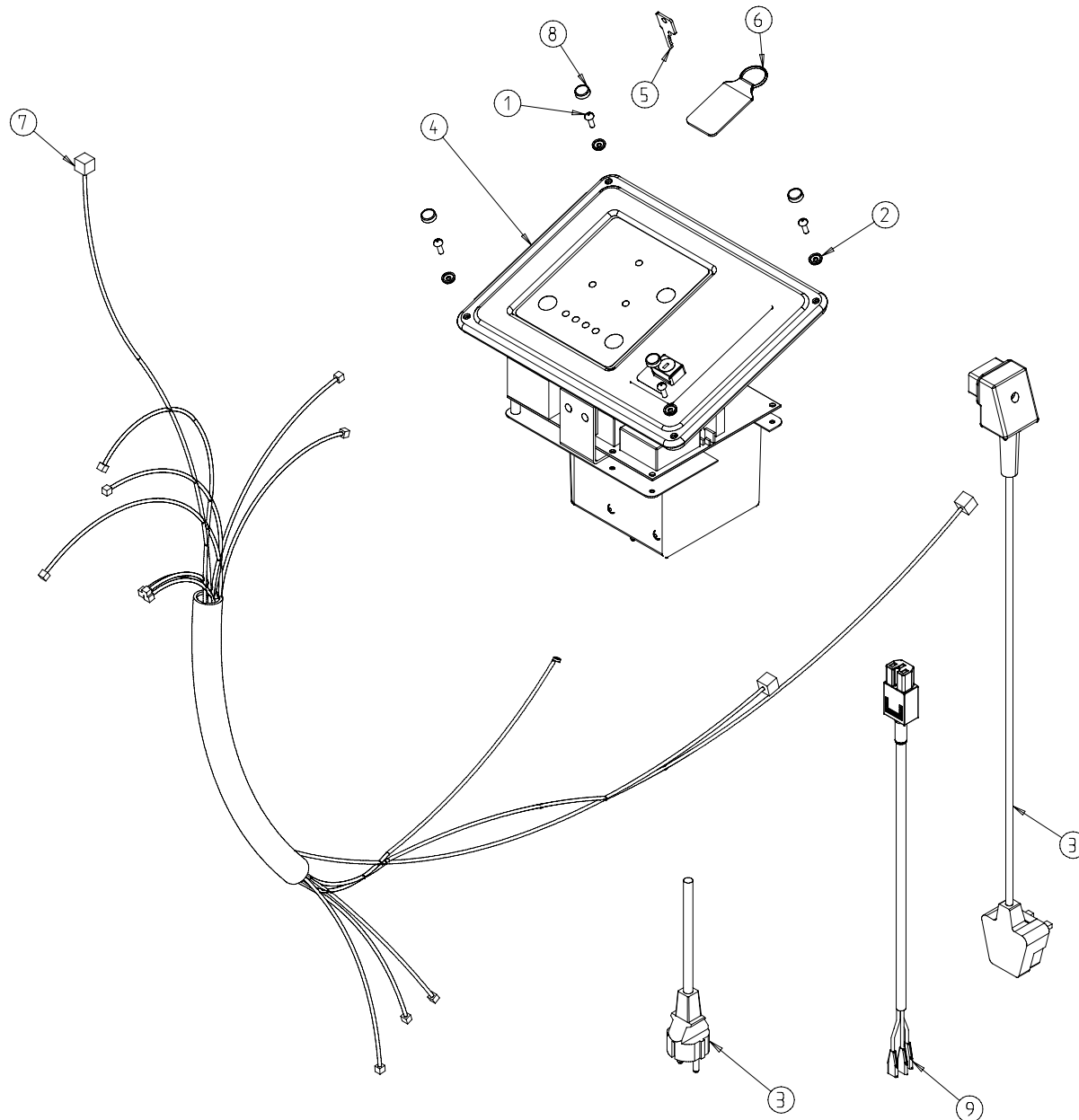
SD40 SCRUBBER DRIER – CHASSIS AND DRIVE ASSEMBLY

FOR WIRING PLAN REFER TO DRAWING: C1888



DOWDING & PLUMMER Ltd.

CALTHORPE HOUSE, STOCKFIELD ROAD,
BIRMINGHAM B27 6AP – ENGLAND
TEL: 0121-706-5771 FAX: 0121-708-1052
www.victorfloorcare.com



ITEM	PART No.	QTY	DESCRIPTION
1	M4X12PPB	4	M4x12 POZIPAN SCREW BLACK
2	SBI6833	4	SCREW CAP WASHER
3	AYC1082	1	MAINS LEAD ASSEMBLY – 240V
4	AYE3004	1	CONTROL PANEL ASSEMBLY – 240V
5	SBI6673	1	KEY
6	SBI6663	1	KEY FOB
7	C1852	1	WIRING LOOM – 240V
8	SBI6832	4	SCREW CAP
9	D0530	1	CONNECTING CABLE – CONTROL PANEL

FOR 220V MACHINES NOTE THE FOLLOWING CHANGE

ITEM	ASSY No	QTY	DESCRIPTION
3	AYC1084	1	MAINS LEAD ASSEMBLY – 220V