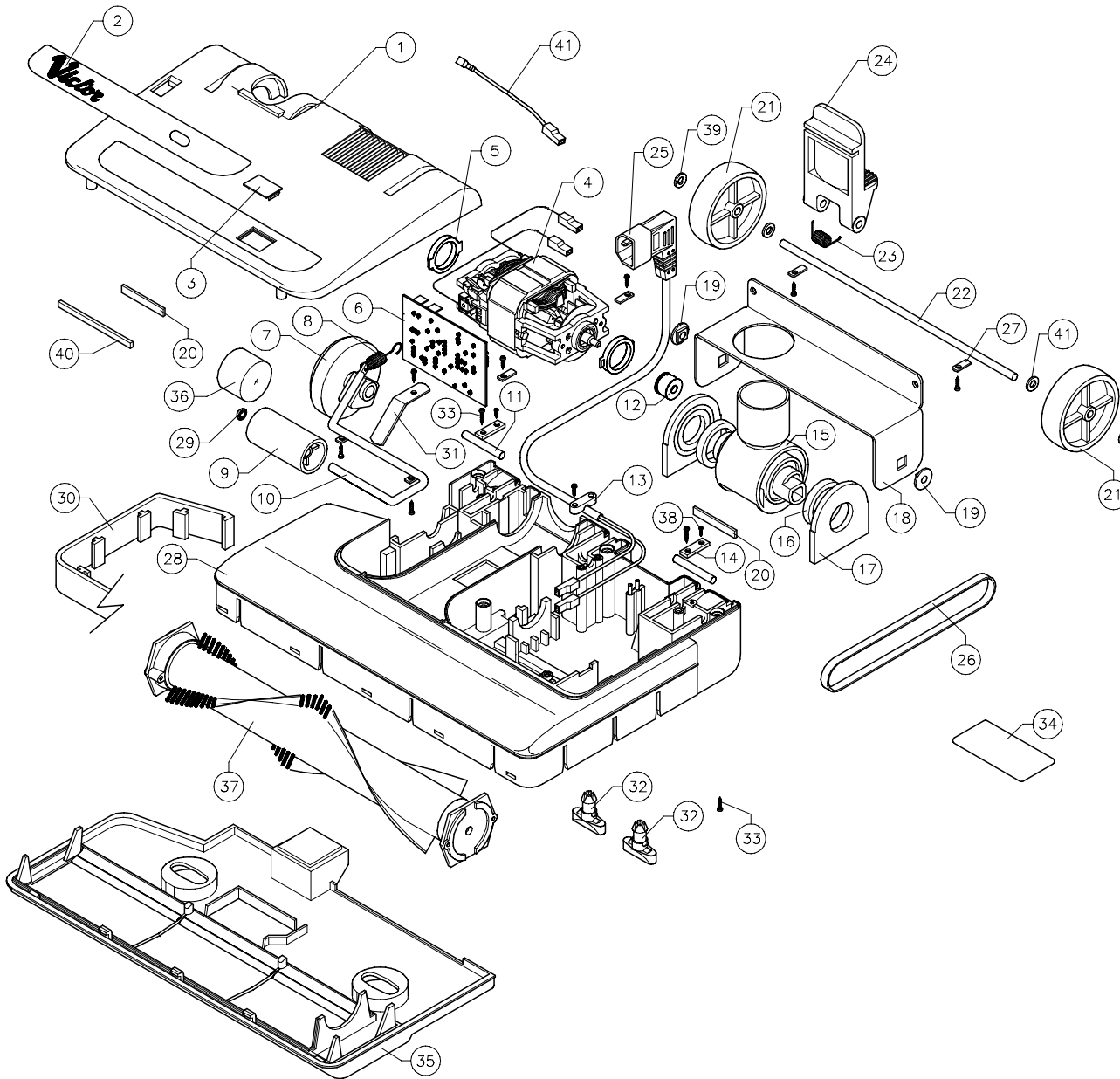




DOWDING & PLUMMER Ltd.

CALTHORPE HOUSE, STOCKFIELD ROAD,
BIRMINGHAM B27 6AP – ENGLAND
TEL: 0121-706-5771 FAX: 0121-708-1052

www.victorfloorcare.com



ITEM	PART No.	QTY.	DESCRIPTION
1	C1070/LGR	1	POWER BRUSH TOP MOULDING – LIGHT GREY
2	C1857	1	TOP COVER LABEL
3	C1114	1	CLIP IN LENS
4	SBI6266/T	1	240V 50 Hz 300W MOTOR c/w THERMAL TRIP
5	C1818	2	MOTOR SUPPORT RING
6	D1274	1	CIRCUIT BOARD
7	C1022/RE	1	HEIGHT ADJUSTMENT KNOB
8	C1047	1	ROLLER ADJUSTMENT SPRING
9	C1003	1	FLOOR ROLLER
10	C1026	1	ROLLER AXLE
11	C1028	2	PIVOT PIN
12	D0750	1	MOTOR PULLEY
13	C1404	1	CABLE GRIP
14	C1025	2	CLAMP PLATE
15	C1069	1	TRUNNION
16	C1061	2	TRUNNION SIDE FELT
17	C1004	2	TRUNNION SIDE PLATE
18	C1021	1	PRESS STEEL BRACKET
19	C1015	2	SQUARE BUSH
20	C1137	2	FELT SEAL
21	C1017	2	WHEEL ø66
22	C1027	1	WHEEL AXLE
23	C1039	1	PARK RELEASE SPRING
24	C1018	1	FOOT PEDAL
25	D1018	1	INPUT POWER CORD
26	SBI6962	1	DRIVE BELT
27	C1025	5	CLAMP WASHER
28	C1007/LGR	1	POWER BRUSH MIDDLE MOULDING – LIGHT GREY
29	SBI6348	1	6mm STARLOCK CAP
30	C1084	1	SMALL BUFFER
31	C1819	1	MOTOR FIXING BRACKET
32	C1019	2	TURNBUTTON
33	M4X20SP	15	M4 x 20mm SPAX
34	C1150	1	RATING LABEL
35	AYF370	1	370 BOTTOM FLOOR PLATE
36	C1472	1	FOAM RING SEAL
37	AYB2004	1	BRUSH ROLL ASSY (HARD BRISTLE)
38	M4X12SP	2	M4 x 12mm SPAX
39	M6W	4	M6 WASHER
40	C1867	1	FOAM SEAL STRIP
41	C1880	2	MOTOR TO CIRCUIT BOARD CABLE

A.G.D. 09/05/2007 PL473-1

WHEN ORDERING PLEASE QUOTE PART No. AND PART DESCRIPTION

2007 **Victor** RANGE

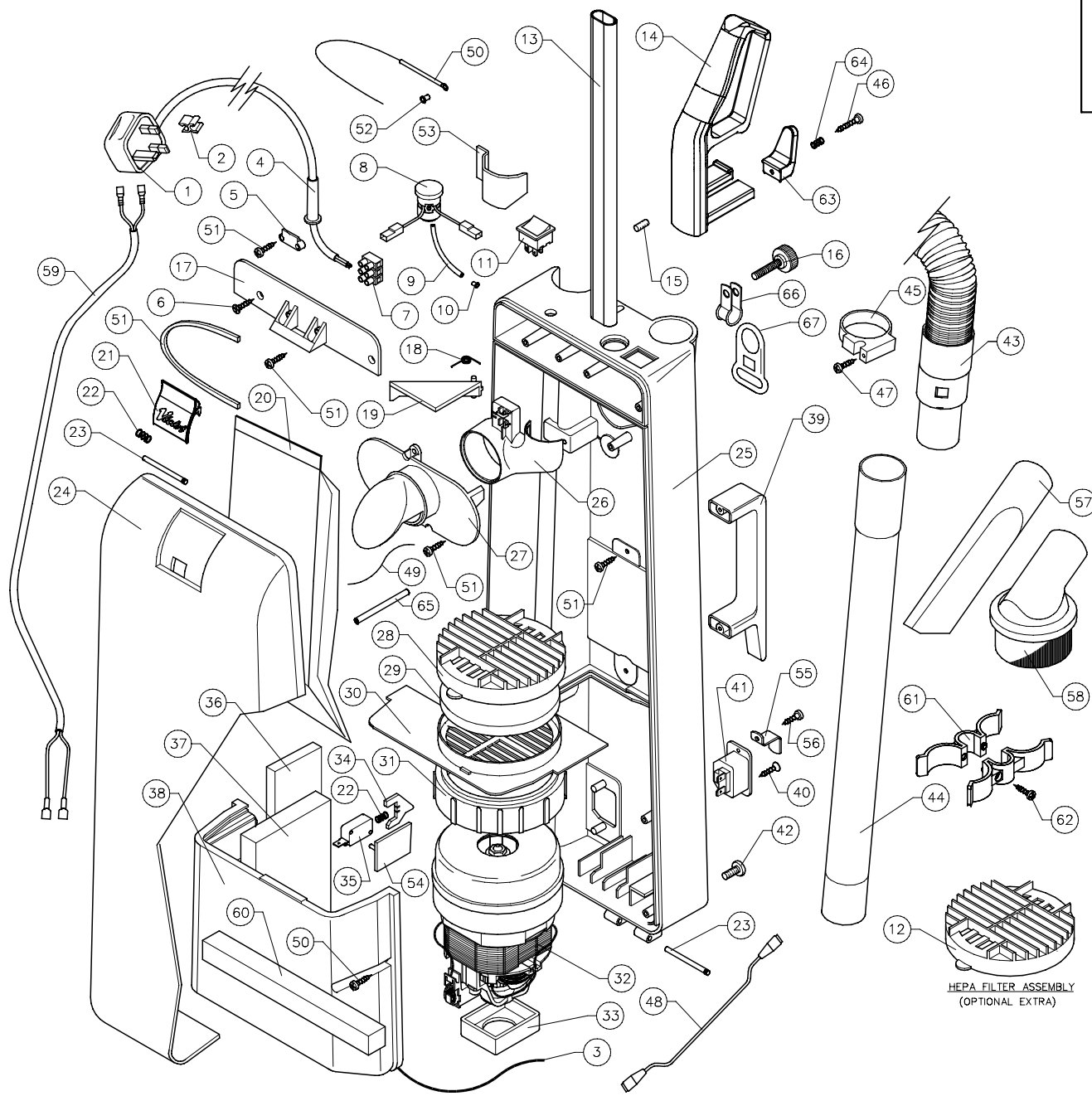
V-UCS

DUAL MOTOR UPRIGHT CARPET SWEEPER – BRUSH DRIVE UNIT



DOWDING & PLUMMER Ltd.

CALTHORPE HOUSE, STOCKFIELD ROAD,
BIRMINGHAM B27 6AP - ENGLAND
TEL: 0121-706-5771 FAX: 0121-708-1052
www.victorfloorcare.com



ITEM	PART No.	QTY.	DESCRIPTION
1	D1048	1	HIGH VISIBILITY POWER CORD
2	C1010	1	CABLE TIDY
3	SBI6190	1	3mm EXPANDED CORD SEAL
4	A2126	1	CABLE GROMMET
5	C1404	1	CABLE GRIP
6	M4X20CSK-SP	2	SCREW C/S 4 x 20mm SPAX
7	SBI6254	1	3-WAY TERMINAL BLOCK
8	SBI6182	1	BAG FULL INDICATOR
9	C1091	1	INDICATOR TUBE
10	C1092	1	BRASS EYELET
11	SBI6168	1	ON/OFF SWITCH
12	C4018	1	HEPA FILTER ASSEMBLY
13	C4080	1	HANDLE TUBE
14	D0821	1	TOP HANDLE
15	SBI6272	1	M6x10 SOCKET GRUB SCREW DOG POINT
16	C1052	1	HANDLE TUBE THUMB SCREW
17	B1350	1	CATCH PLATE
18	A2129	1	ARM SPRING
19	B1355	1	NO BAG INDICATOR ARM - RED
20	SBI5666	1	PAPER DUST BAG
21	D0825	1	CATCH
22	A2138	2	SPRING
23	C1037	3	HINGE PIN
24	B1351/LGR	1	FRONT CASING - LIGHT GREY
25	B1345	1	REAR CASING
26	C1053	1	INLET ADAPTOR
27	C1495	1	BAG INLET
28	B1348	1	FILTER COVER
29	C1072	1	FILTER (BAG BURST)
30	B1346	1	MOTOR MOUNTING PLATE
31	A2168	1	RUBBER MOTOR RING
32	D0815	1	VAC MOTOR 240V
33	A2128	1	MOTOR MOUNTING PAD
34	C1777	1	MICRO SWITCH PLUNGER
35	SBI6420	1	MICRO SWITCH
36	C1073	1	EXIT FILTER
37	C1074	1	BAFFLE FOAM
38	B1347	1	MOTOR COVER
39	B1356	1	REAR HANDLE
40	M3X12CSK-SP	1	SCREW C/S 3 x 12mm SPAX
41	SBI6323	1	SOCKET OUTLET
42	D0813	2	M5 x 12 POZIPAN SCREW - BLACK
43	D0817	2	32mm SWIVEL HOSE END ASSY
44	C4081	1	PLASTIC TUBE
45	C1776	1	SUCTION TUBE RETAINER
46	M4X35BSP	5	SCREW PH 4 x 35mm SPAX
47	M4X20SP	9	SCREW PH 4 x 20mm SPAX
48	C1875	1	MICRO SWITCH TO POWER OUTLET CABLE
49	SBI6258/A	1	225mm NYLON CORD BLACK
50	C1506	1	ANTI-STATIC RESISTOR ASSY
51	SBI6382	1	INLET NOZZLE DUST SEAL
52	SBI6383	1	BRASS EYELET
53	C1505	1	ANTI-STATIC LEAD COVER
54	C1499	1	MICRO SWITCH PLATE
55	C1683	1	PLUG RETAINING BRACKET
56	M3X12SP	1	SCREW PH 3 x 12mm SPAX
57	SBI6297	1	36mm CREVICE NOZZLE
58	SBI6298	1	36mm ROUND DUSTING BRUSH
59	C4079	1	INTERCONNECTING CABLE VACUUM UNIT
60	C1621B	1	FOAM STRIP SEAL
61	B1365	2	TOOL CLIP
62	IN6X1ST.PP	2	No6 x 1" AB POINT SELF TAPPING SCREW
63	D0760	1	CABLE QUICK RELEASE
64	SBI6951	1	COMPRESSION SPRING
65	SBI3203	1	1/8" x 1/16" BORE TUBING - 75mm LONG
66	SBI7081	1	'P' CLIP
67	D0550	1	CABLE RESTRAINT

HEPA FILTER ASSEMBLY
(OPTIONAL EXTRA)

A.G.D. 11/06/2007 PL472-1

WHEN ORDERING PLEASE QUOTE PART No. AND PART DESCRIPTION

2007 **Victor** RANGE

V-UCS

DUAL MOTOR UPRIGHT CARPET SWEEPER - VACUUM UNIT