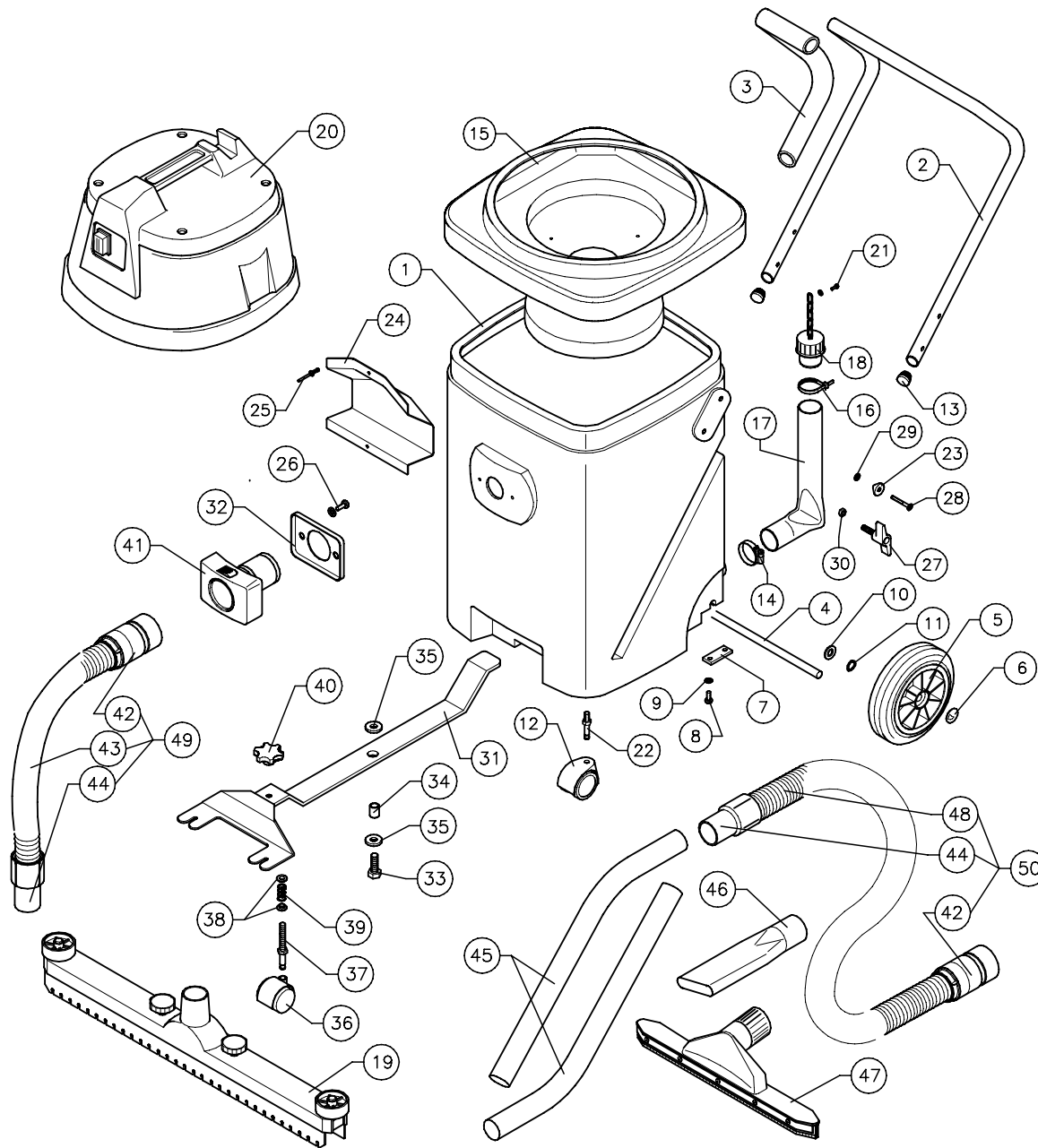




**DOWDING & PLUMMER Ltd.**

CALTHORPE HOUSE, STOCKFIELD ROAD,  
BIRMINGHAM B27 6AP – ENGLAND  
TEL: 0121-706-5771 FAX: 0121-708-1052

www.victorfloorcare.com



ITEM	PART No.	QTY.	DESCRIPTION
1	C1551/BL	1	MAIN TANK 35L
2	C1606	1	HANDLE
3	C1607	2	HANDLE FOAMGRIP
4	A1879/PLTD	1	WHEEL AXLE PLATED
5	D1114	2	Ø175mm REINFORCED WHEEL
6	SBI3005/A	2	12mm STARLOCK CAP
7	C1561	2	WHEEL AXLE LOCATION PLATE
8	M6X16PP	4	M6 x 16 POZIPAN SCREW
9	M6WSH	4	M6 SHAKEPROOF WASHER
10	M12W	2	M12 PLAIN WASHER
11	SBI3666	2	WAVEY WASHER – PLW4
12	SBI6400	2	Ø50 TWIN RUBBER WHEEL CASTOR
13	SBI6395	2	Ø22 TUBE END PLUG
14	SBI6442	1	Ø40 JUBILEE HOSE CLIP
15	AYF1003	1	WV35 WET FILTER ASSY.
16	SBI5015	1	4.8 x 370 CABLE TIE
17	D0143B	1	FLAT LAY DUMP HOSE
18	C1635	1	DUMP HOSE CAP ASSY
19	AYN1002	1	SQUEEGEE ASSEMBLY
20	AYP2011	1	WV35 POWERHEAD
21	M4X12PPP	1	M4 x 12 POSI PAN HEAD SCREW
22	SBI6399	2	CASTOR STUD
23	SBI6433	2	SADDLE WASHER
24	C1592	1	INLET DEFLECTOR PLATE
25	SBI6441	2	Ø5 x 25 EXPANSION RIVET
26	M4X20SP	2	M4 x 20 SPAX & PLAIN WASHER
27	SBI6473	2	M8 HANDLE ADJUSTMENT KNOB
28	M6X40PPB	2	M6 x 40 POZIPAN SCREW BLACK
29	M6WB	2	M6 PLAIN WASHER BLACK
30	M8NUT	2	M8 NYLOC NUT
31	C1583	1	SQUEEGEE FOOTPEDAL ASSEMBLY
32	SBI7141	1	CANISTER INLET GASKET
33	M10X35BH	1	M10 x 35 HEX HEAD SCREW
34	C1611	1	FOOTPEDAL SPACER BUSH
35	M10X30W	2	M10 x 30 O/D WASHER
36	SBI6401	1	Ø40 TWIN PLASTIC WHEEL CASTOR
37	C1584	1	CASTOR WHEEL THREADED PIN
38	C1364	2	M8 x 4 SPACER
39	SBI6423	1	COMPRESSION SPRING
40	SBI6398	1	M8 HAND KNOB
41	SBI7142	1	HOSE INLET ASSY.
42	SBI7179	1	40mm RIGID HOSE END
43	SBI7178	410mm	40mm HOSE ONLY
44	SBI7180	1	40mm HOSE CUFF
45	SBI7181	1	STEEL 'S' TUBE (2PIECES)
46	SBI7183	1	40mm CREVICE TOOL
47	SBI7185	1	40mm SQUEEGEE TOOL
48	SBI7178	3.7M	40mm HOSE ONLY
49	AYH2045	1	FRONT HOSE ASSY.
50	AYH2046	1	40mm WANDERING HOSE ASSY. (3.7M)

A.G.D. 21/03/2007 PL435-2

WHEN ORDERING PLEASE QUOTE PART No. AND PART DESCRIPTION

2007 **Victor** RANGE

V-WV35N

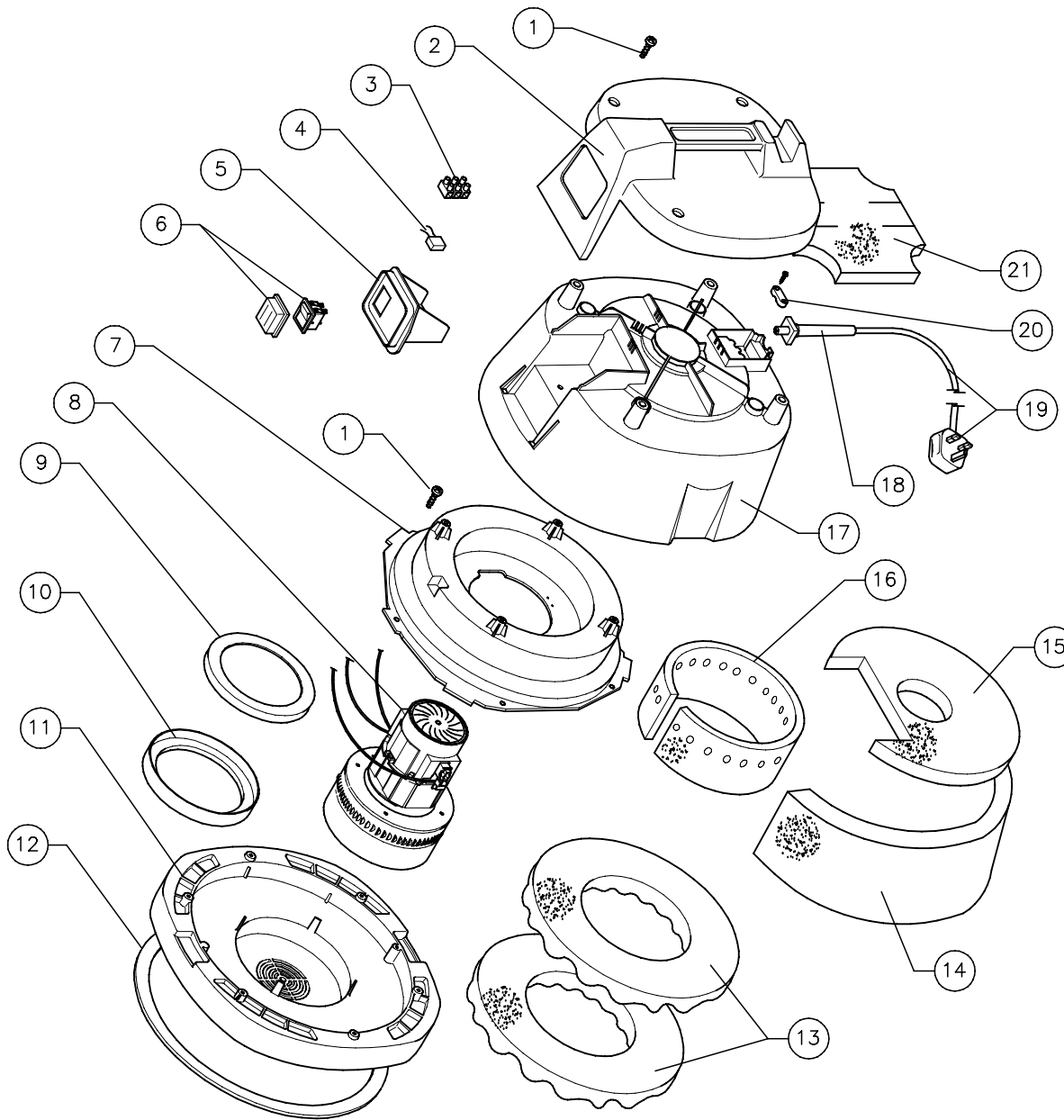
35Ltr WET VACUUM CLEANER WITH FIXED NOZZLE



**DOWDING & PLUMMER Ltd.**

CALTHORPE HOUSE, STOCKFIELD ROAD,  
BIRMINGHAM B27 6AP – ENGLAND  
TEL: 0121-706-5771 FAX: 0121-708-1052

[www.victorfloorcare.com](http://www.victorfloorcare.com)



ITEM	PART No.	QTY.	DESCRIPTION
1	-	14	ST SCREW 5x20
2	SBI7718	1	TOP COVER AND HANDLE
3	SBI7122	1	3-WAY CONNECTING BLOCK
4	SBI7123	1	SUPPRESSOR
5	SBI7125	1	SWITCH HOUSING
6	SBI7126	1	ON/OFF SWITCH
7	SBI7130	1	MOTOR RETAINING MOULDING
8	SBI7132	1	BYPASS MOTOR 1000w 230v
9	SBI7131	1	UPPER MOTOR RETAINING RING
10	SBI7196	1	LOWER MOTOR RETAINING RING
11	SBI7134	1	15L/30L MOTOR MOUNTING MOULDING
12	SBI6440	1	POWERHEAD GASKET STRIP
13	SBI7133	2	2 PART BAFFLE SET
14	SBI7128	1	SURROUND BAFFLE
15	SBI7127	1	MOTOR BAFFLE
16	SBI7129	1	MOTOR SURROUND BAFFLE
17	SBI7124	1	MOTOR ENCLOSURE
18	SBI7120	1	CABLE GROMMET SLEEVE
19	D1000	15M	3-CORE CABLE & 13A PLUG ASSY.
20	SBI7121	1	CABLE CLAMP
21	SBI7119	1	MOTOR ENCLOSURE TOP BAFFLE