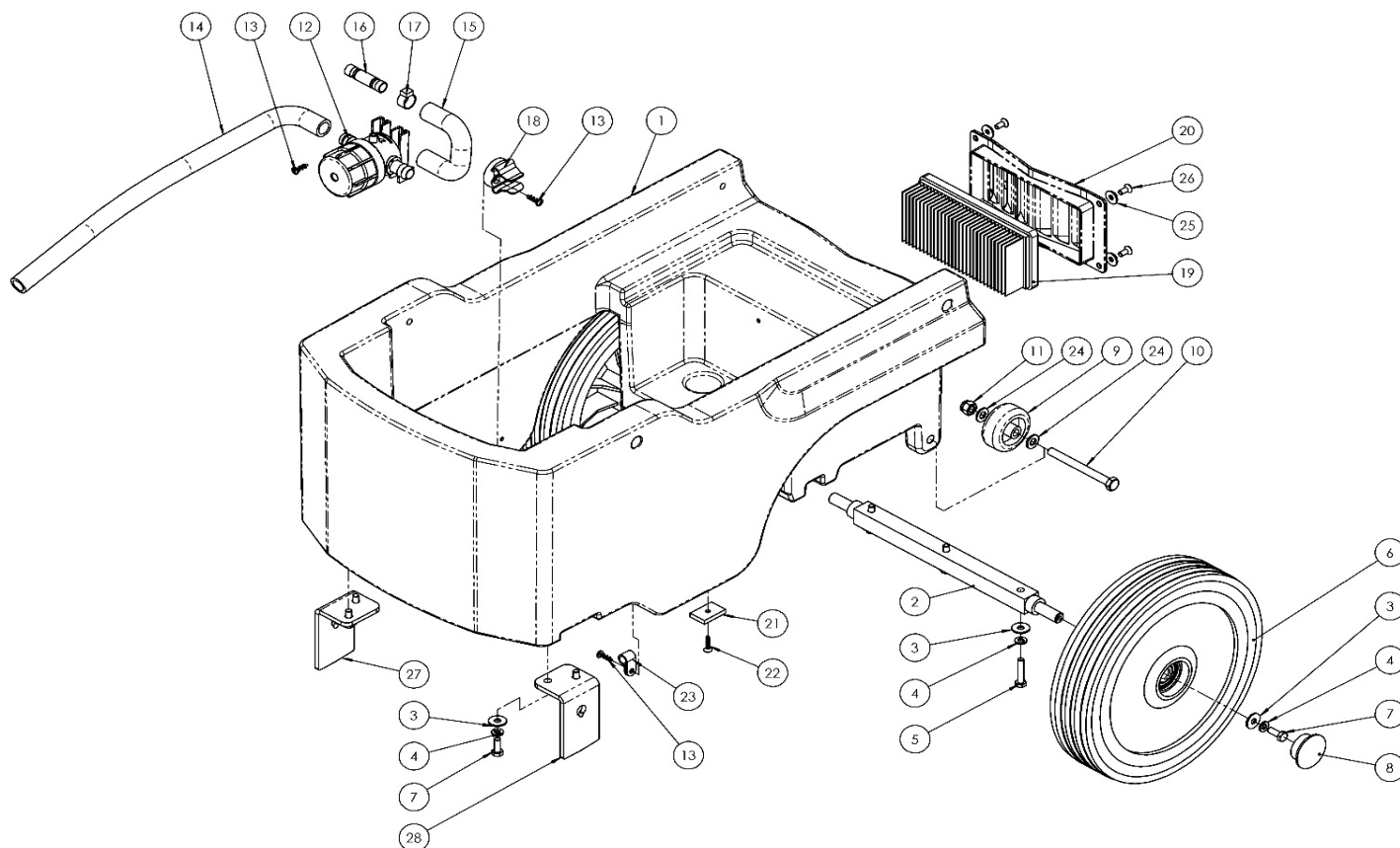


SPARE PARTS LIST

Victor SD20

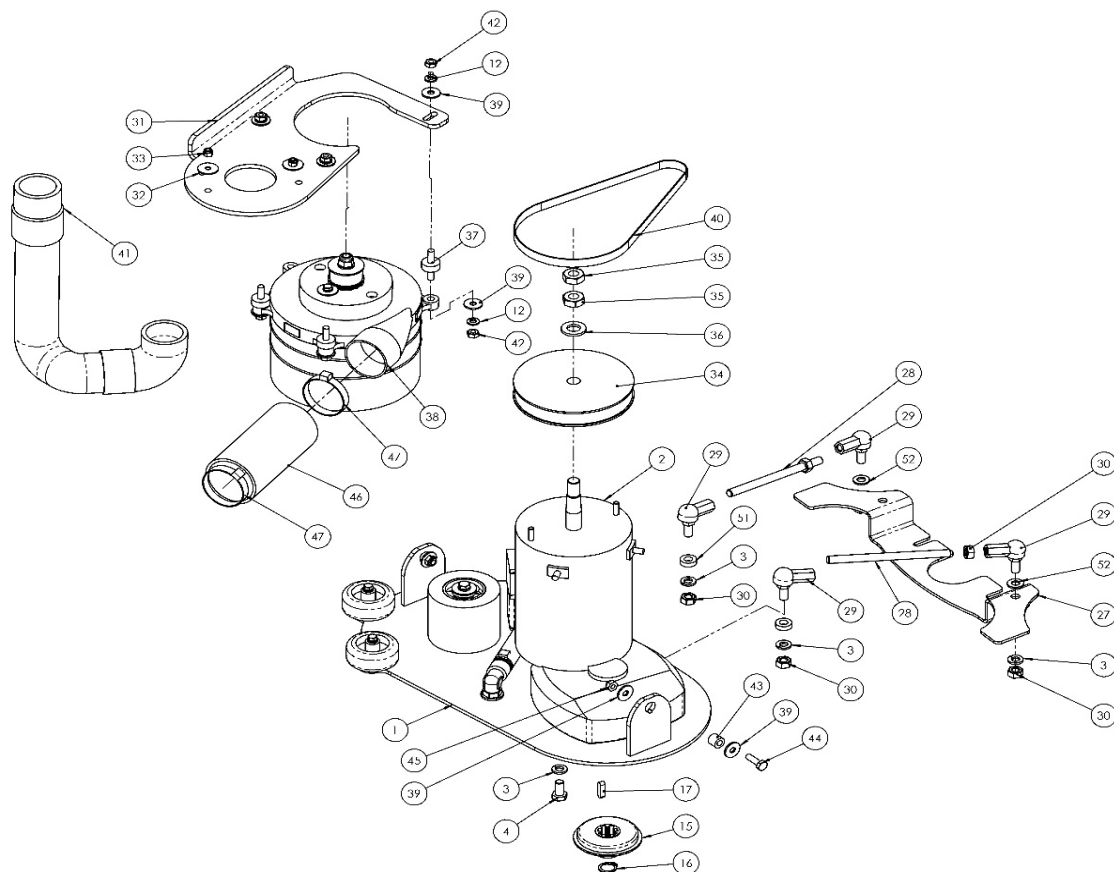


2.0 **FSC0450** **Chassis assembly - 20 litres** **SD20**

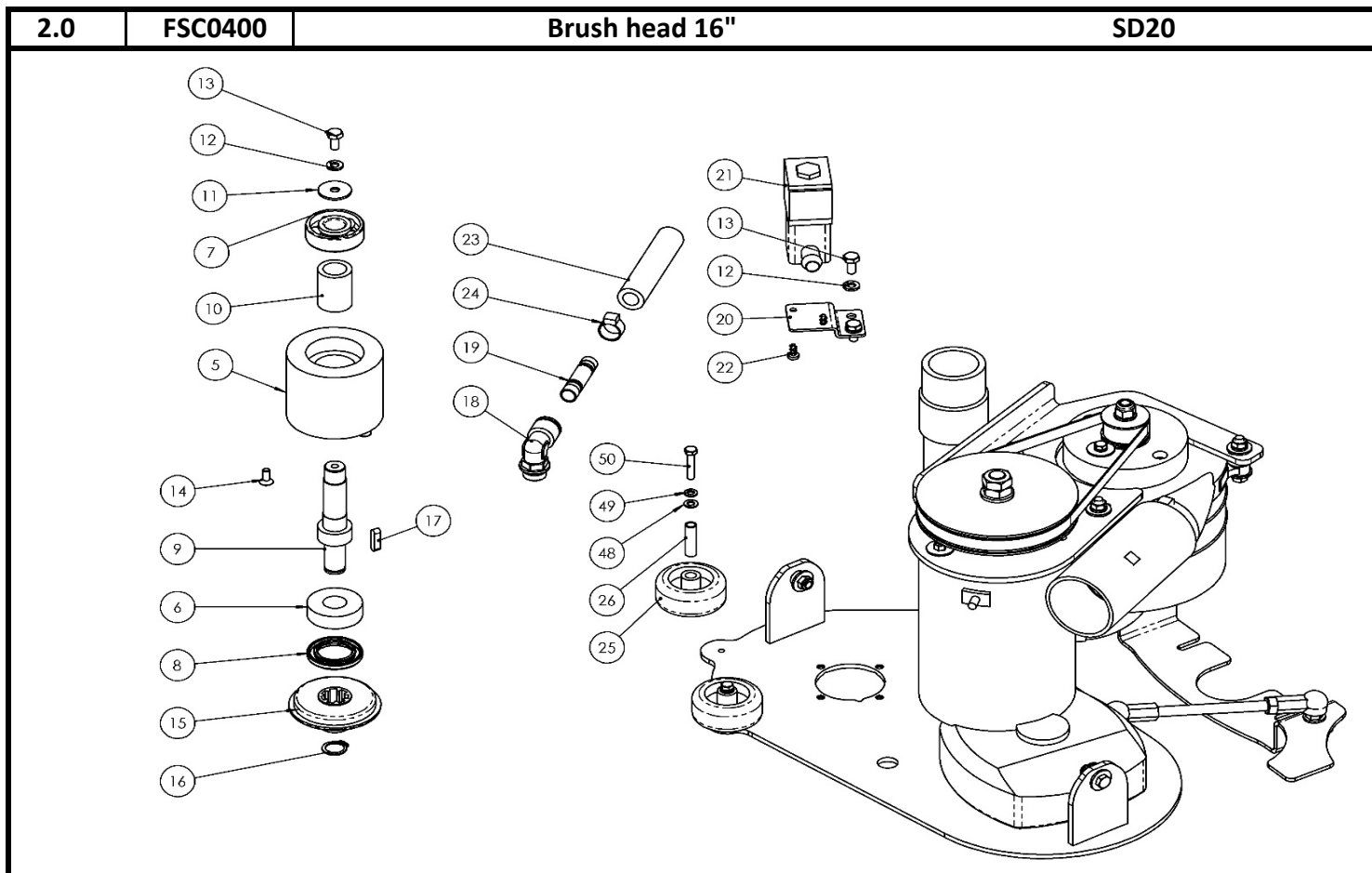


| ID | Part number | Description | Quantity |
|----|-------------|----------------------------------|----------|
| 1 | FSC0610 | Chassis, black color | 1 |
| 2 | FSC0660 | Wheel axis | 1 |
| 3 | FSC0400 | Washer large 6x18 A2 | 9 |
| 4 | FSC0060 | Grower washer d.6 | 9 |
| 5 | FSC0800 | Hexagon screw M6x30 | 3 |
| 6 | FSC0600 | Wheel with bearings d.250x50 | 2 |
| 7 | FSC0520 | Hexagon screw M6x16 | 6 |
| 8 | FSC0030 | Wheel cap | 2 |
| 9 | FSC0230 | Wheel d.50x24 | 2 |
| 10 | FSC0660 | Hexagon screw M8x85 | 2 |
| 11 | FSC0020 | Selflocking nut M8 | 2 |
| 12 | FSC0020 | Water filter | 1 |
| 13 | FSC0690 | Screw for plastic TC 4x16 | 6 |
| 14 | FSC0700 | Water hose L= 460 mm | 1 |
| 15 | FSC0710 | Water hose L= 280 mm | 1 |
| 16 | FSC0040 | Extension d.12 | 1 |
| 17 | FSC0330 | Metal clamp 15x25 | 1 |
| 18 | FSC0190 | Hose support 17-20 | 1 |
| 19 | FSC0660 | Air filter (as std on H version) | 1 |
| 20 | FSC0150 | Air flow discharging grid | 1 |
| 21 | FSC0650 | Magnet 30x20x5 | 2 |
| 22 | FSC0750 | Screw for plastic TS 4x18 | 2 |
| 23 | FSC0280 | Wire Mount 3/8" | 2 |
| 24 | FSC0130 | Washer d.8 | 4 |
| 25 | FSC0810 | Washer for counterscrew M5 | 4 |
| 26 | FSC0460 | Countersunk screw M5x12 | 4 |
| 27 | FSC0940 | Brush head holder - right | 1 |
| 28 | FSC0950 | Brush head holder - left | 1 |

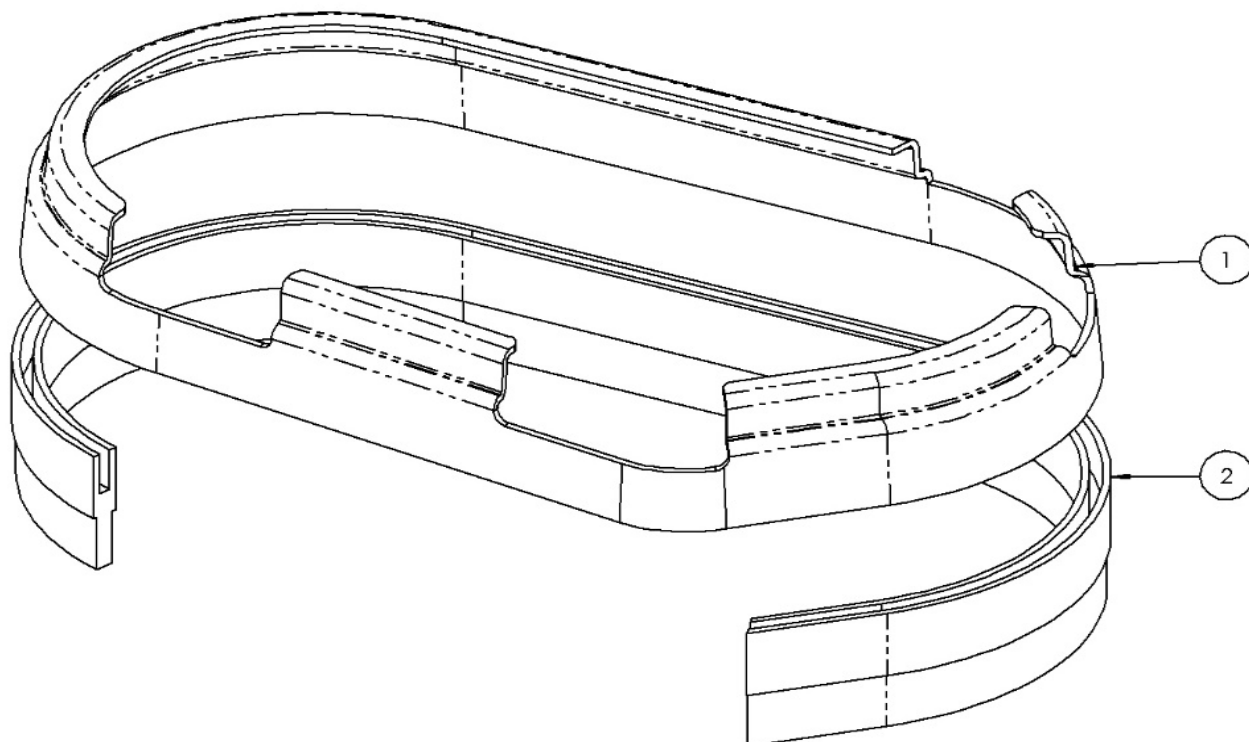
2.0 **FSC0400** **Brush head 16"** **SD20**



| ID | Part number | Description | Quantity |
|----|-------------|-----------------------------------|----------|
| 1 | FSC0920 | Brush deck 2x8" | 1 |
| 2 | FSC0070 | Gearbox motor 48V 500w | 1 |
| 3 | FSC0110 | Washer Grower d.8 A2 DIN 127 | 8 |
| 4 | FSC0370 | Hexagonal screw M8x16 | 4 |
| 5 | FSC0590 | Free shaft holder | 1 |
| 6 | FSC0090 | Ball bearing 6203-2RS | 1 |
| 7 | FSC0220 | Ball bearing 6302-2RS | 1 |
| 8 | FSC0280 | Gasket for rotating shaft | 1 |
| 9 | FSC0600 | Free shaft | 1 |
| 10 | FSC0610 | Spacer 17x25x33.5 | 1 |
| 11 | FSC0140 | Washer large d.6x24 | 1 |
| 12 | FSC0060 | Grower washer d.6 | 9 |
| 13 | FSC0170 | Hexagon screw M6x12 | 3 |
| 14 | FSC0460 | Countersunk screw M5x12 | 4 |
| 15 | FSC0050 | Brush holder - small | 2 |
| 16 | FSC0800 | Seeger 15 E | 2 |
| 17 | FSC0380 | Shaft key 5x5x20 - A2 | 2 |
| 18 | FSC0030 | Elbow "L" 3/8" d.12 | 1 |
| 19 | FSC0040 | Extension d.12 | 1 |
| 20 | FSC0590 | Solenoid valve holder | 1 |
| 21 | FSC0530 | Proportional solenoid valve 24Vdc | 1 |
| 22 | FSC0480 | Screw for plastic 5x9,5 | 2 |
| 23 | FSC0690 | Transparent hose L=90mm | 1 |
| 24 | FSC0330 | Metal clamp 15x25 | 1 |
| 25 | FSC0230 | Wheel d.50x24 | 2 |
| 26 | FSC0620 | Spacer 8x6x28.5 | 2 |
| 27 | FSC1020 | Squeegee holder - 20 liters | 1 |
| 28 | FSC0570 | Squeegee holder shaft | 2 |

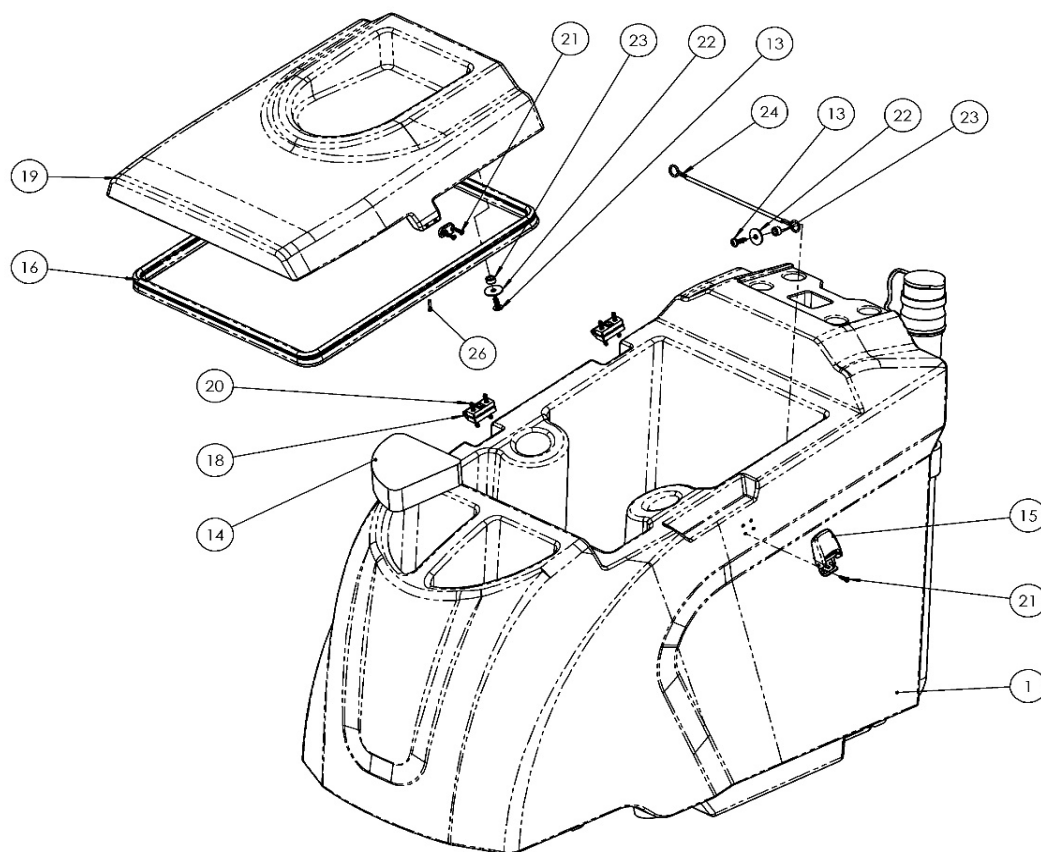


| ID | Part number | Description | Quantity |
|----|-------------|-------------------------------|----------|
| 29 | FSC0640 | Articuled head M8 | 4 |
| 30 | FSC0670 | Nut M8 A2 - DIN 982 | 6 |
| 31 | FSC0960 | Suction unit holder | 1 |
| 32 | FSC0190 | Washer 5x20 | 2 |
| 33 | FSC0220 | Selflocking nut M5 | 2 |
| 34 | FSC0720 | Motor pulley | 1 |
| 35 | FSC0790 | Nut M12 A2 - DIN 982 | 2 |
| 36 | FSC0530 | Washer d.12 A2 DIN 127 | 1 |
| 37 | FSC0300 | Shock absorber 18x7,5 MM6 | 3 |
| 38 | FSC0080 | Suction turbine | 1 |
| 39 | FSC0400 | Washer large 6x18 A2 | 10 |
| 40 | FSC0590 | Flat belt 530x10 | 1 |
| 41 | FSC0520 | Depression hose | 1 |
| 42 | FSC0350 | Nut M6 | 6 |
| 43 | FSC0580 | Spacer 6.5x12x10.5 | 2 |
| 44 | FSC0150 | Hexagon screw M6x20 | 2 |
| 45 | FSC0300 | Selflocking nut M6 | 2 |
| 46 | FSC0730 | Air discharging hose, d50x100 | 1 |
| 47 | FSC0340 | Metal clamp 32x50 | 2 |
| 48 | FSC0240 | Washer d.5 | 2 |
| 49 | FSC0200 | Grower washer d.5 | 2 |
| 50 | FSC0830 | Hexagon screw M5x35 | 2 |
| 51 | FSC0520 | Spacer 8.25x15x5 | 2 |
| 52 | FSC0130 | Washer d.8 | 2 |
| | | | |
| | | | |
| | | | |



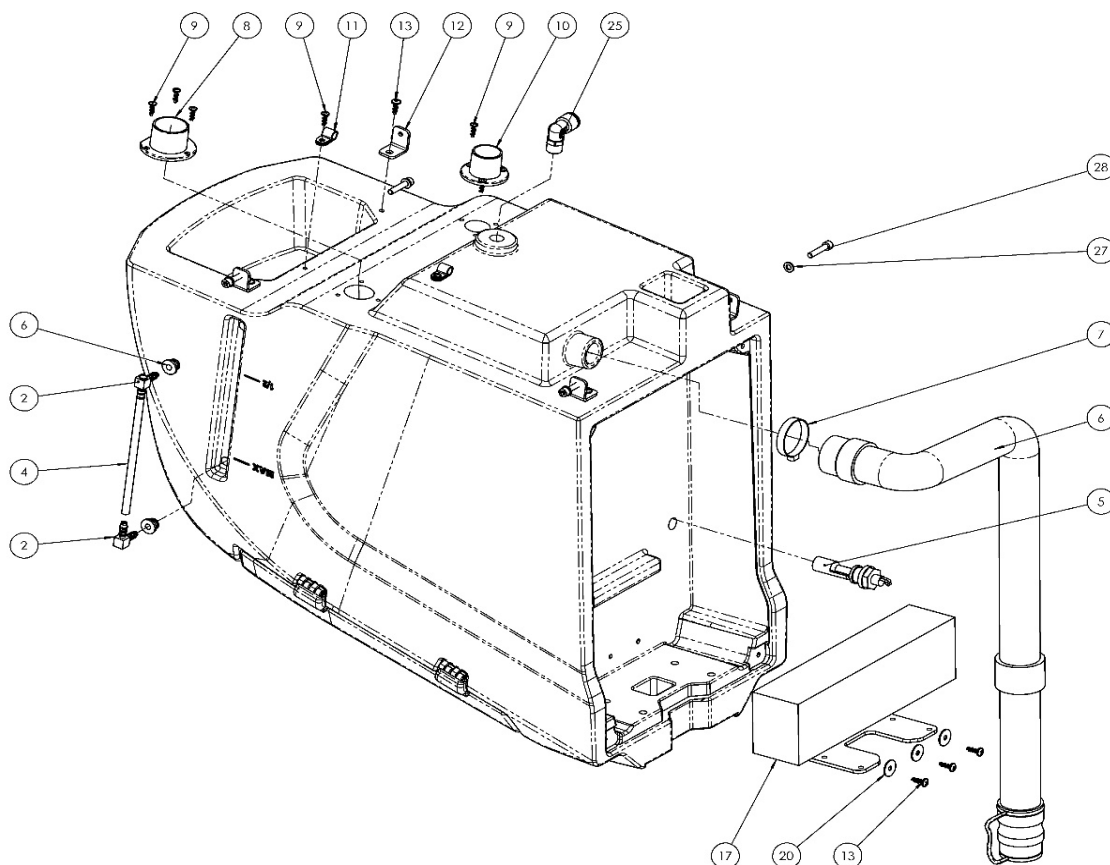
| ID | Part number | Description | Quantity | |
|----|----------------|-----------------------------------|----------|-----------------|
| 1 | FSC0160 | Splashguard 40cm | 1 | |
| 2 | FSC0230 | Bristel profile L=740mm | 1 | |
| | | | | |
| | | | | |
| | | | | |
| | | | | |
| | | | | |
| | | | | |
| | | | | |
| | | | | |
| | | | | |
| | | | | |
| | | | | |
| | | | | |
| | | | | |
| | | | | |
| | | | | |
| | | | | |
| | | | | |
| | | | | |
| | | | | |
| | | | | |
| | FSC0800 | Splashguard assembly 406mm | 1 | £ 160.32 |

2.0 **FSC0470** **Tanks assembly - 20 liters** **SD20**



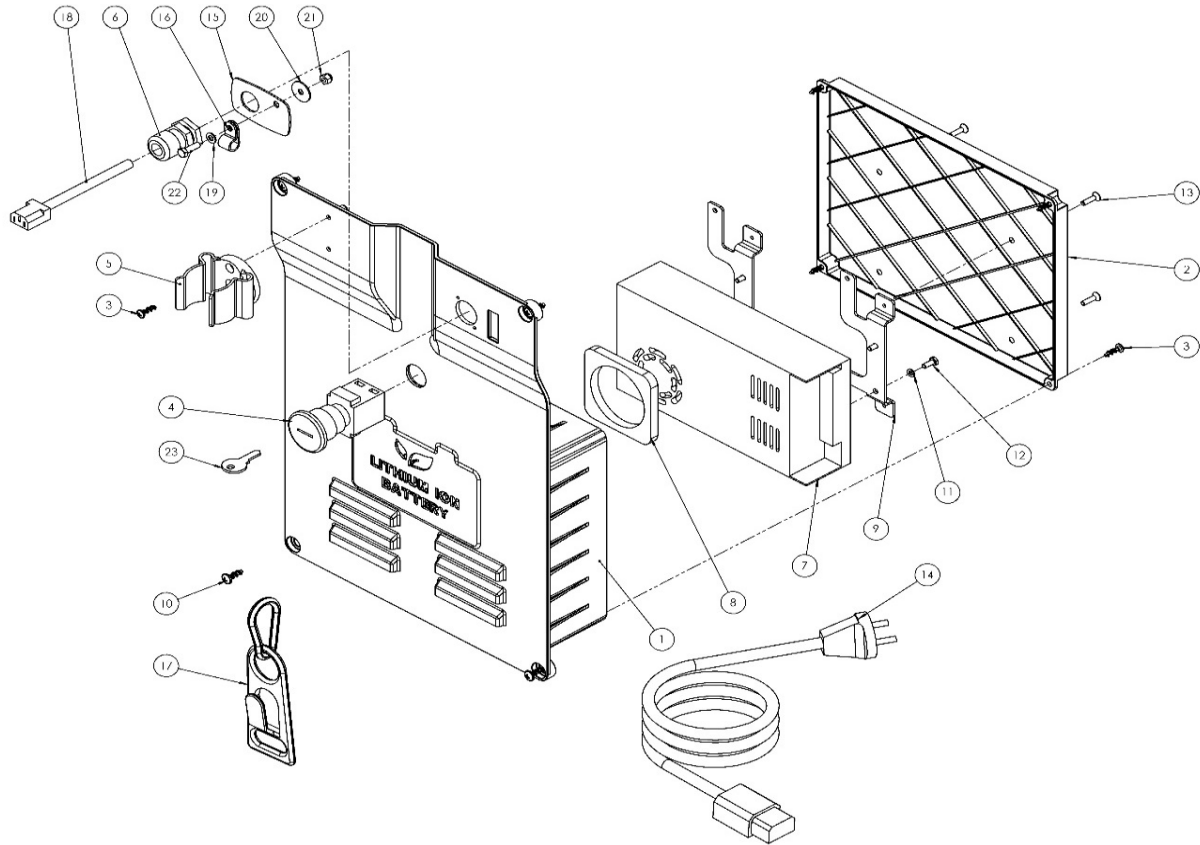
| ID | Part number | Description | Quantity |
|----|-------------|-----------------------------|----------|
| 1 | FSC0600 | Tank - 20 liters | 1 |
| 2 | FSC0060 | Elbow dn.6 | 2 |
| 3 | FSC0080 | Tank gasket | 2 |
| 4 | FSC0540 | Water level hose | 1 |
| 5 | FSC0510 | Water level sensor | 1 |
| 6 | FSC0510 | Drain hose | 1 |
| 7 | FSC0340 | Metal clamp 32x50 | 1 |
| 8 | FSC0120 | Suction hose connector | 1 |
| 9 | FSC0690 | Screw for plastic TC 4x16 | 9 |
| 10 | FSC0130 | Squegeee hose connector | 1 |
| 11 | FSC0280 | Wire Mount 3/8" | 3 |
| 12 | FSC0990 | Tank fixing plate | 4 |
| 13 | FSC0710 | Screw for plastic TC 5x16 | 9 |
| 14 | FSC0290 | Filling water filter | 1 |
| 15 | FSC0630 | Closure hook | 1 |
| 16 | FSC0260 | Cap gasket - 20 liters | 1 |
| 17 | FSC0970 | Counterweight | 1 |
| 18 | FSC0620 | Hinge | 2 |
| 19 | FSC0620 | Cap 20 liters | 1 |
| 20 | FSC0190 | Washer 5x20 | 8 |
| 21 | FSC0750 | Screw for plastic TS 4x18 | 6 |
| 22 | FSC0740 | Screw for plastic TS 3x12 | 5 |
| 23 | FSC0270 | Spacer 6.2x10x5 | 2 |
| 24 | FSC0300 | Stainless steel cable | 1 |
| 25 | FSC0100 | Elbow "L" 3/8" conic d.12 | 1 |
| 26 | FSC0500 | Self-threading screw 2,2x13 | 10 |
| 27 | FSC0160 | Washer 6 | 4 |
| 28 | FSC0820 | Hexagon screw M6x30 | 4 |

2.0 | **FSC0470** | **Tanks assembly - 20 liters** | **SD20**



| ID | Part number | Description | Quantity |
|----|-------------|-----------------------------|----------|
| 1 | FSC0600 | Tank - 20 liters | 1 |
| 2 | FSC0060 | Elbow dn.6 | 2 |
| 3 | FSC0080 | Tank gasket | 2 |
| 4 | FSC0540 | Water level hose | 1 |
| 5 | FSC0510 | Water level sensor | 1 |
| 6 | FSC0510 | Drain hose | 1 |
| 7 | FSC0340 | Metal clamp 32x50 | 1 |
| 8 | FSC0120 | Suction hose connector | 1 |
| 9 | FSC0690 | Screw for plastic TC 4x16 | 9 |
| 10 | FSC0130 | Squegeee hose connector | 1 |
| 11 | FSC0280 | Wire Mount 3/8" | 3 |
| 12 | FSC0990 | Tank fixing plate | 4 |
| 13 | FSC0710 | Screw for plastic TC 5x16 | 9 |
| 14 | FSC0290 | Filling water filter | 1 |
| 15 | FSC0630 | Closure hook | 1 |
| 16 | FSC0260 | Cap gasket - 20 liters | 1 |
| 17 | FSC0970 | Counterweight | 1 |
| 18 | FSC0620 | Hinge | 2 |
| 19 | FSC0620 | Cap 20 liters | 1 |
| 20 | FSC0190 | Washer 5x20 | 5 |
| 21 | FSC0750 | Screw for plastic TS 4x18 | 8 |
| 22 | FSC0740 | Screw for plastic TS 3x12 | 6 |
| 23 | FSC0270 | Spacer 6.2x10x5 | 2 |
| 24 | FSC0300 | Stainless steel cable | 1 |
| 25 | FSC0100 | Elbow "L" 3/8" conic d.12 | 1 |
| 26 | FSC0500 | Self-threading screw 2,2x13 | 10 |
| 27 | FSC0160 | Washer 6 | 4 |
| 28 | FSC0820 | Hexagon screw M6x30 | 4 |

2.0 | **FSC0510** | **Switching assembly 110-230Vac | 48Vdc 10Amps** | **SD20**



| ID | Part number | Description | Quantity |
|----|-------------|---|----------|
| 1 | FSC0070 | Battery holder | 1 |
| 2 | FSC0080 | Battery cover | 1 |
| 3 | FSC0690 | Screw for plastic TC 4x16 | 6 |
| 4 | FSC0680 | Emergency pushbutton | 1 |
| 5 | FSC0080 | Hose support 39-43 | 1 |
| 6 | FSC0670 | Cable locker PG 13.5 | 2 |
| 7 | FSC0690 | Switching power supply 110-230Vac; 50/60Hz 48Vdc 10Amps | 1 |
| 8 | FSC0310 | Power supply gasket | 1 |
| 9 | FSC1500 | Power supply holder | 2 |
| 10 | FSC0710 | Screw for plastic TC 5x16 | 4 |
| 11 | FSC0050 | Grower washer d.4 | 4 |
| 12 | FSC0090 | Hexagon screw M4x10 | 4 |
| 13 | FSC0770 | Countersink screw M4x16 | 4 |
| 14 | FSC0720 | Power cable L=15m Schuko | 1 |
| 15 | FSC1430 | Tearproof plate | 1 |
| 16 | FSC0280 | Wire Mount 3/8" | 1 |
| 17 | FSC0880 | Tearproof set | 1 |
| 18 | FSC0800 | Power cord L=330mm + IEC plug | 1 |
| 19 | FSC0240 | Washer d.5 | 1 |
| 20 | FSC0190 | Washer 5x20 | 1 |
| 21 | FSC0220 | Selflocking nut M5 | 1 |
| 22 | FSC0210 | Hexagon screw M5x16 | 1 |
| 23 | FSC0790 | Couple of keys for mushroom pushbutton | 1 |

