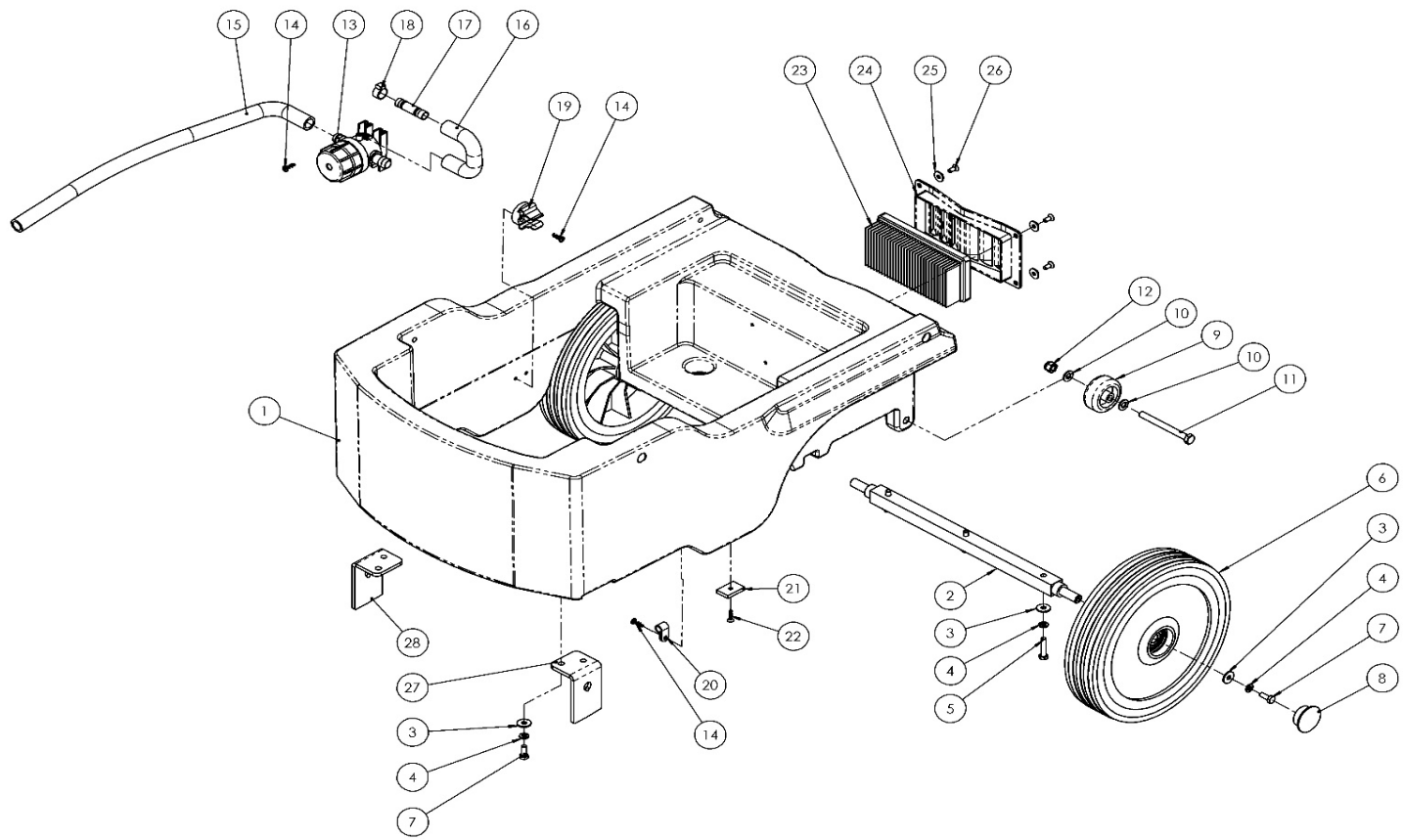


SPARE PARTS LIST

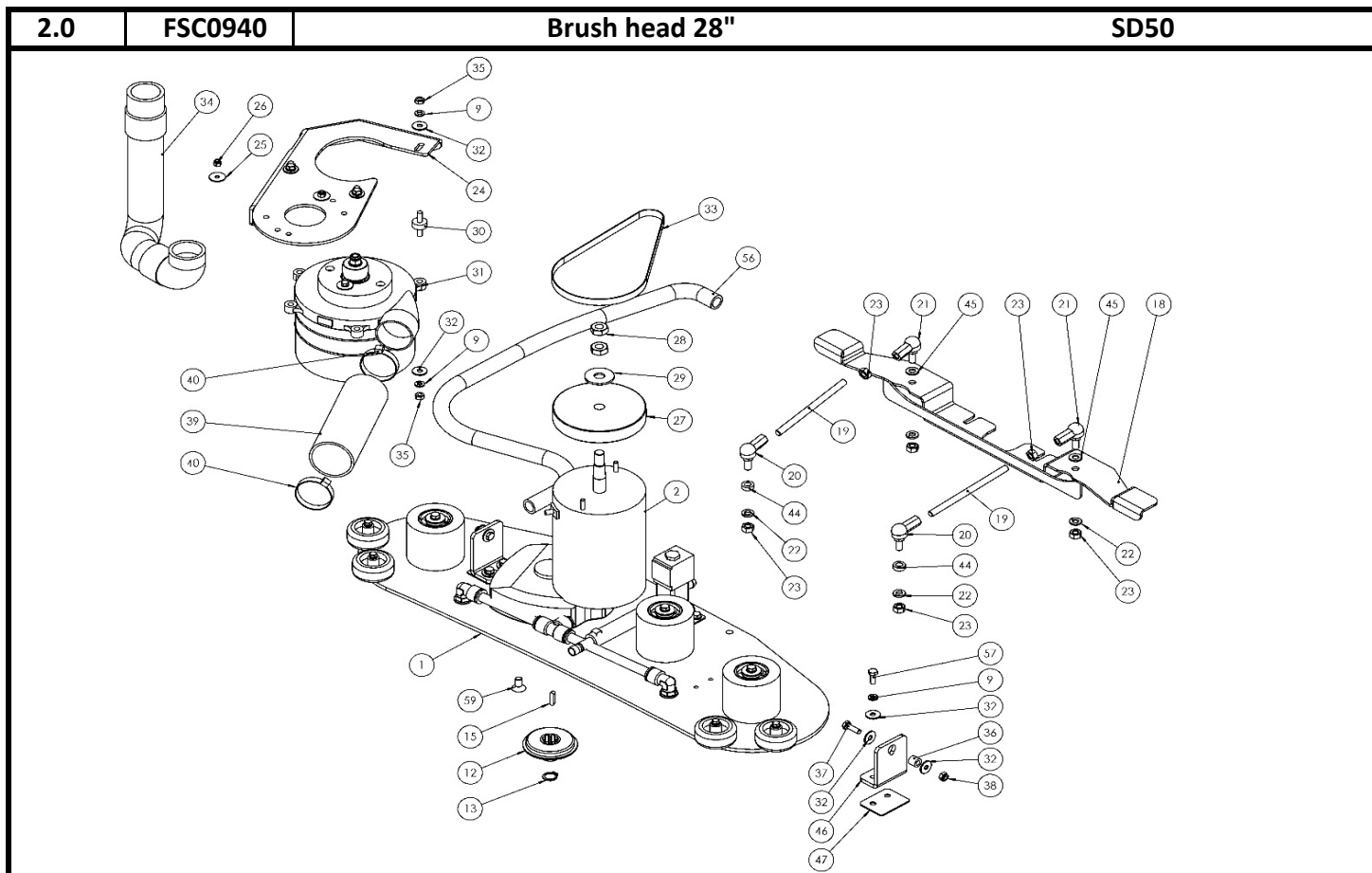
Victor SD50



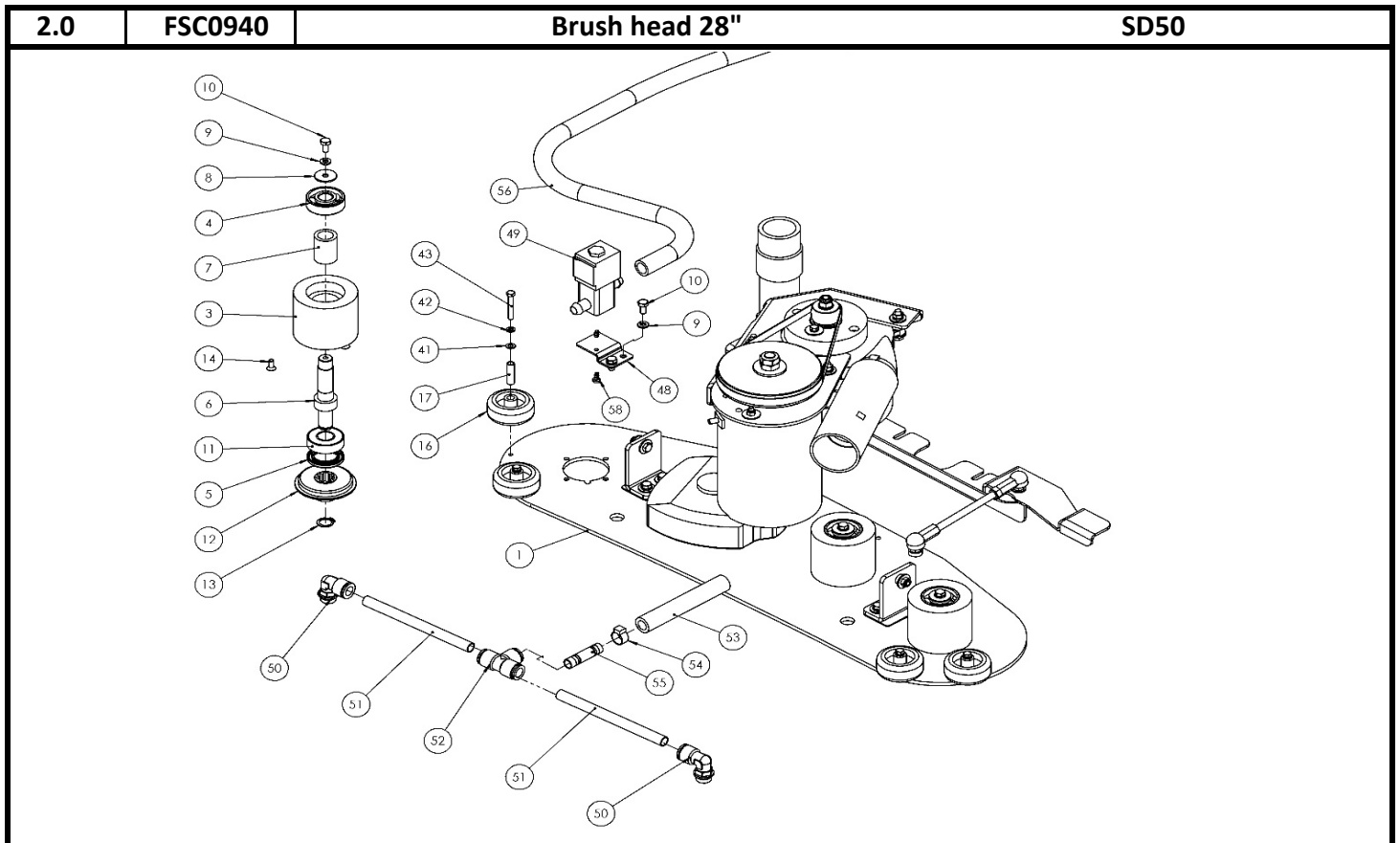
2.0	FSC0480	Chassis assembly	SD50
------------	----------------	-------------------------	-------------



ID	Part number	Description	Quantity
1	FSC0640	Chassis 40 litres	1
2	FSC0670	Wheel axis 40 litres	1
3	FSC0400	Washer large 6x18 A2	9
4	FSC0060	Grower washer d.6	9
5	FSC0800	Hexagon screw M6x30	3
6	FSC0600	Ruota con cuscinetti d.250x50	2
7	FSC0520	Hexagon screw M6x16	6
8	FSC0030	Wheel cap	2
9	FSC0230	Wheel d.50x24	2
10	FSC0130	Washer d.8	4
11	FSC0660	Hexagon screw M8x85	2
12	FSC0020	Selflocking nut M8	2
13	FSC0020	Water filter	1
14	FSC0690	Screw TC 4x16	6
15	FSC0750	Water hose L= 580 mm	1
16	FSC0710	Water hose L= 280 mm	1
17	FSC0040	Extension d.12	1
18	FSC0330	Metal clamp 15x25	1
19	FSC0190	Hose support 17-20	1
20	FSC0280	Wire Mount 3/8"	2
21	FSC0650	Magnet 30x20x5	2
22	FSC0750	Screw TS 4x18	2
23	FSC0660	Air filter	1
24	FSC0150	Air flow discharging grid	1
25	FSC0810	Washer for counterscrew M5	4
26	FSC0460	Countersunk screw M5x12	4
27	FSC0950	Brush head holder - left	1
28	FSC0940	Brush head holder - right	1

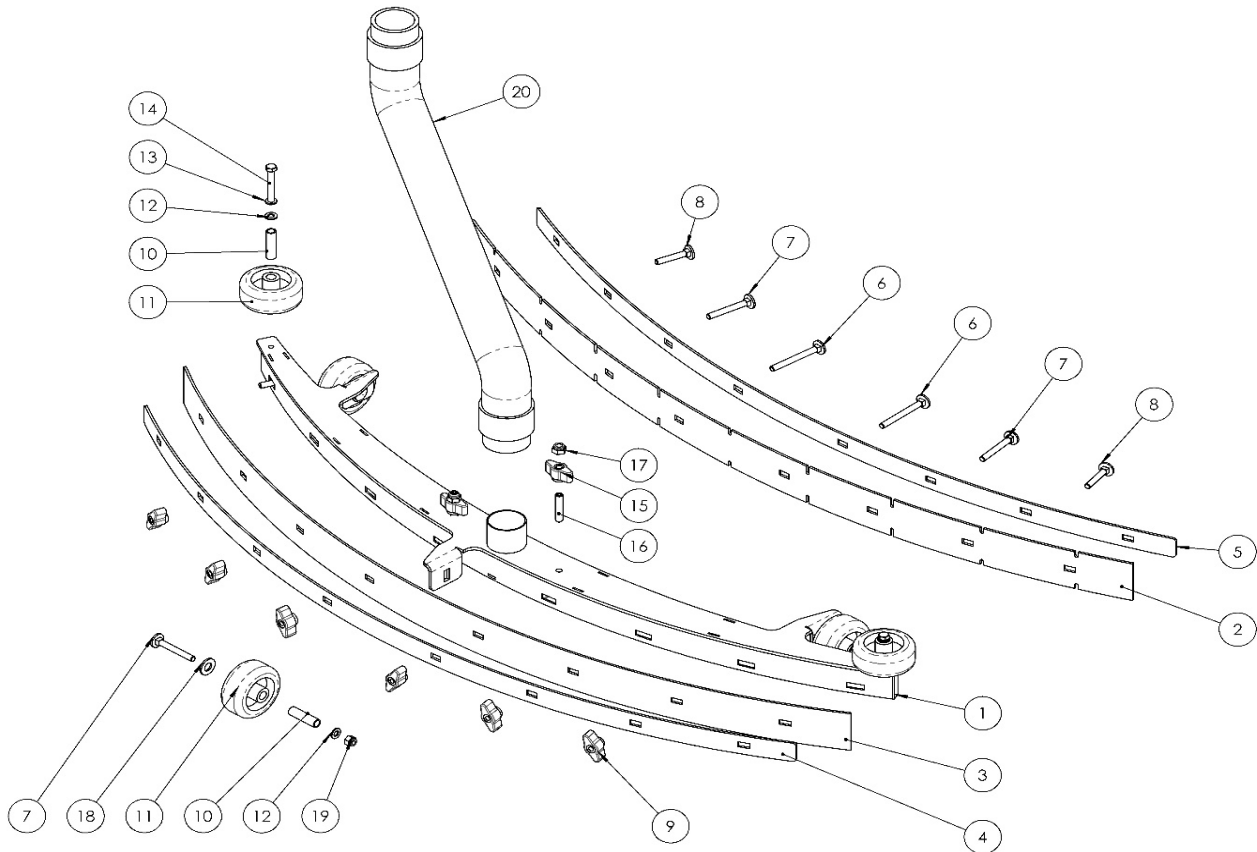


ID	Part number	Description	Quantity
1	FSC1640	Brush deck 4x7"	1
2	FSC0070	Gearbox motor 48V 500w	1
3	FSC0590	Free shaft holder	3
4	FSC0220	Ball bearing 6302-2RS	3
5	FSC0280	Gasket for rotating shaft	3
6	FSC0600	Free shaft	3
7	FSC0610	Spacer 17x25x33.5	3
8	FSC0140	Washer large d.6x24	3
9	FSC0060	Grower washer d.6	15
10	FSC0170	Hexagon screw M6x12	5
11	FSC0090	Ball bearing 6203-2RS	3
12	FSC0050	Brush holder - small	4
13	FSC0800	Seeger 15 E	4
14	FSC0460	Countersunk screw M5x12	13
15	FSC0380	Shaft key 5x5x20 - A2	4
16	FSC0230	Wheel d.50x24	4
17	FSC0620	Spacer 8x6x28.5	4
18	FSC1670	Squeegee holder	1
19	FSC0570	Squeegee holder shaft	2
20	FSC0640	Articuled head M8	2
21	FSC0640	Articuled head M8	2
22	FSC0110	Washer Grower d.8 A2 DIN 127	4
23	FSC0670	Nut M8 A2 - DIN 982	6
24	FSC2220	Suction unit holder	1
25	FSC0190	Washer 5x20	2
26	FSC0220	Selflocking nut M5	2
27	FSC0720	Motor pulley	1
28	FSC0790	Nut M12	2
29	FSC0530	Washer d.12	1



ID	Part number	Description	Quantity
30	FSC0300	Shock absorber 18x7,5 MM6	3
31	FSC0080	Suction turbine	1
32	FSC0400	Washer large 6x18 A2	14
33	FSC0590	Flat belt 530x10	1
34	FSC0520	Depression hose	1
35	FSC0350	Nut M6	6
36	FSC0580	Spacer 6.5x12x10.5	2
37	FSC0150	Hexagon screw M6x20	2
38	FSC0300	Selflocking nut M6	2
39	FSC0740	Air discharging hose, d50x160	1
40	FSC0340	Metal clamp 32x50	2
41	FSC0240	Washer d.5	4
42	FSC0200	Grower washer d.5	4
43	FSC0830	Hexagon screw M5x35	4
44	FSC0520	Spacer 8.25x16x5	2
45	FSC0130	Washer d.8	2
46	FSC1660	Brush deck connection	2
47	FSC1650	Connection reinforce	2
48	FSC0590	Solenoid valve holder	1
49	FSC0530	Proportional solenoid valve 24Vdc	1
50	FSC0030	Elbow "L" 3/8" d.12	2
51	FSC0820	Fresh water hose	2
52	FSC0110	"T" elbow d.12	1
53	FSC0830	Fresh water hose	1
54	FSC0330	Metal clamp 15x25	1
55	FSC0040	Extension d.12	1
56	FSC0840	Fresh water hose	1
57	FSC0520	Hexagon screw M6x16	4
58	FSC0480	Screw for plastic 5x9,5	2
59	FSC0970	Countersink screw M8x16	4

2.0 **FSC0960** **Squeegee assembly - 700mm** **SD50**

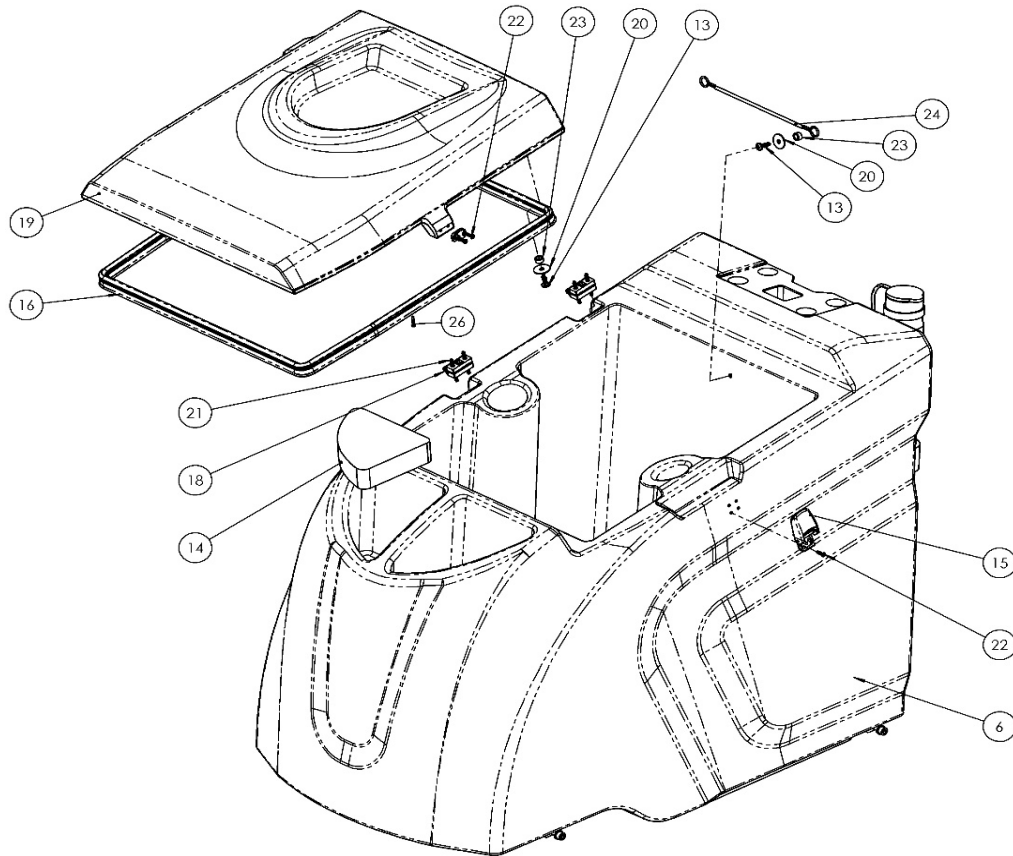


ID	Part number	Description	Quantity
1	FSC1680	Squeegee 5070	1
2	FSC0430	Squeegee front lip 5070	1
2	FSC0420	Squeegee front lip 5070 - oil resistant - optional	1
3	FSC0440	Squeegee rear lip 5070	1
3	FSC0450	Squeegee rear lip 5070 - oil resistant - optional	1
4	FSC1700	Rear lip holder 5070	1
5	FSC1690	Front lip holder 5070	1
6	FSC0630	Ground anchor screw M5x50	2
7	FSC0640	Ground anchor screw M5x40	5
8	FSC0650	Ground anchor screw M5x30	3
9	FSC0550	Wingnut M5	6
10	FSC0620	Spacer 8x6x28.5	5
11	FSC0230	Wheel d.50x24	5
12	FSC0240	Washer d.5	5
13	FSC0200	Grower washer d.5	2
14	FSC0830	Hexagon screw M5x35	2
15	FSC0560	Wingnut M6	2
16	FSC0390	Screw without head M6x30	2
17	FSC0300	Selflocking nut M6	2
18	FSC0130	Washer d.8	3
19	FSC0220	Selflocking nut M5	3
20	FSC0500	Squeegee hose	1

FSC0960 **Squeegee assembly - 700mm** **£567.80**

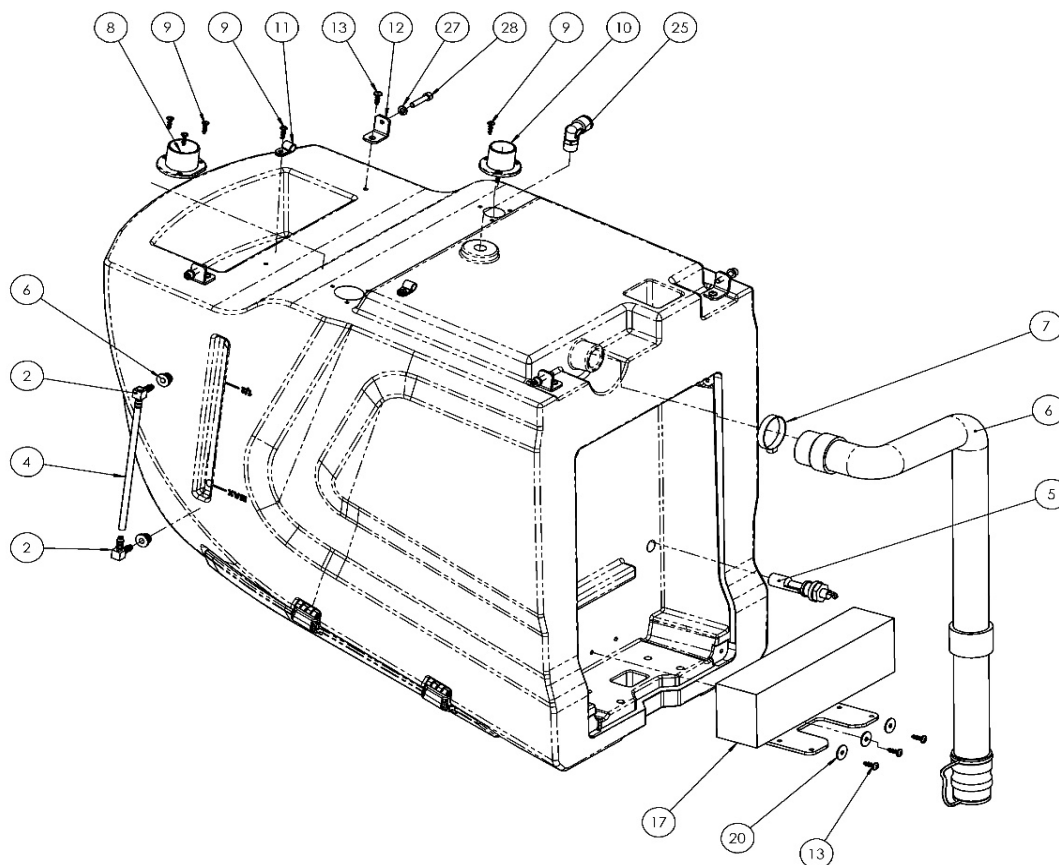
Pos.20 & oil-resistant blades excluded

2.0 **FSC0490** **Tanks assembly** **SD50**



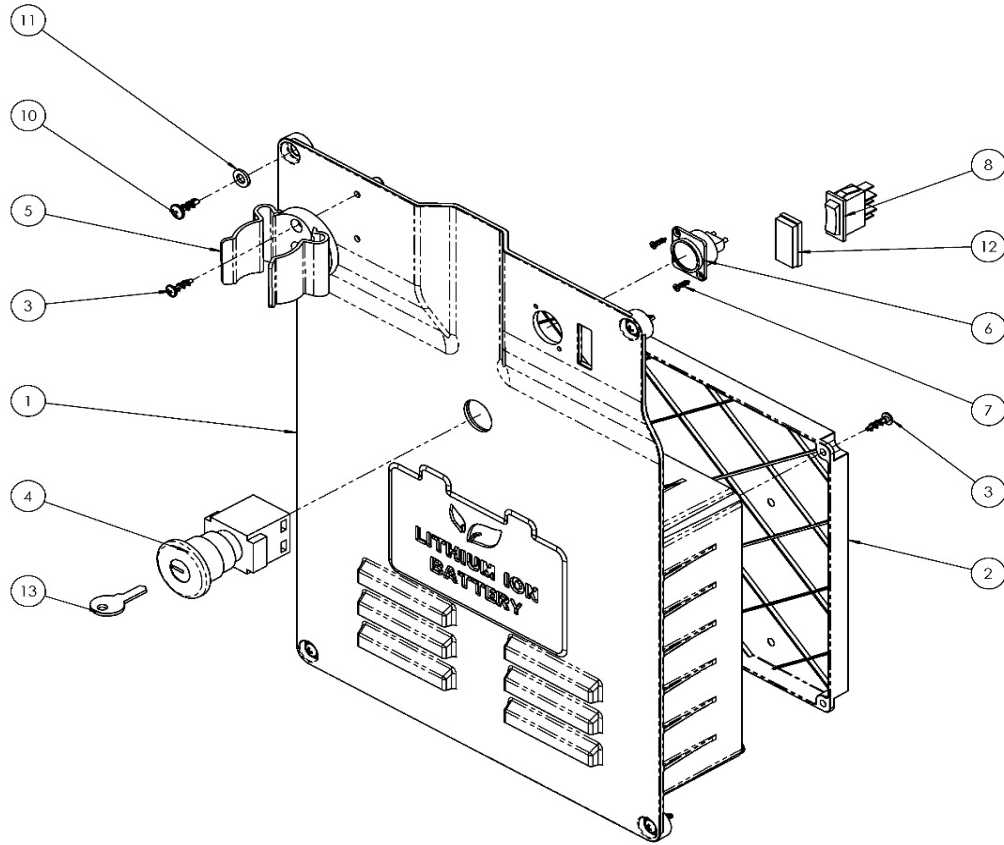
ID	Part number	Description	Quantity
1	FSC0630	Tank - 40 litres	1
2	FSC0060	Elbow dn.6	2
3	FSC0080	Tank gasket	2
4	FSC0550	Water level hose	1
5	FSC0510	Water level sensor	1
6	FSC0510	Drain hose	1
7	FSC0340	Metal clamp 32x50	1
8	FSC0120	Suction hose connector	1
9	FSC0690	Screw TC 4x16	9
10	FSC0130	Squegeee hose connector	1
11	FSC0280	Wire Mount 3/8"	3
12	FSC0990	Tank fixing plate	4
13	FSC0710	Screw TC 5x16	9
14	FSC0280	Filling water filter	1
15	FSC0630	Closure hook	1
16	FSC0270	Cap gasket	1
17	FSC0970	Counterweight	1
18	FSC0620	Hinge	2
19	FSC0650	Cap 40 litres	1
20	FSC0190	Washer 5x20	5
21	FSC0750	Screw TS 4x18	8
22	FSC0740	Screw TS 3x12 - A2	6
23	FSC0270	Spacer 6.2x10x5	2
24	FSC0300	Stainless steel cable	1
25	FSC0100	Elbow "L" 3/8" conic d.12	1
26	FSC0500	Self-threading screw 2,2x13	10
27	FSC0160	Washer 6	4
28	FSC0820	Hexagon screw M6x30	4

2.0 **FSC0490** **Tanks assembly** **SD50**



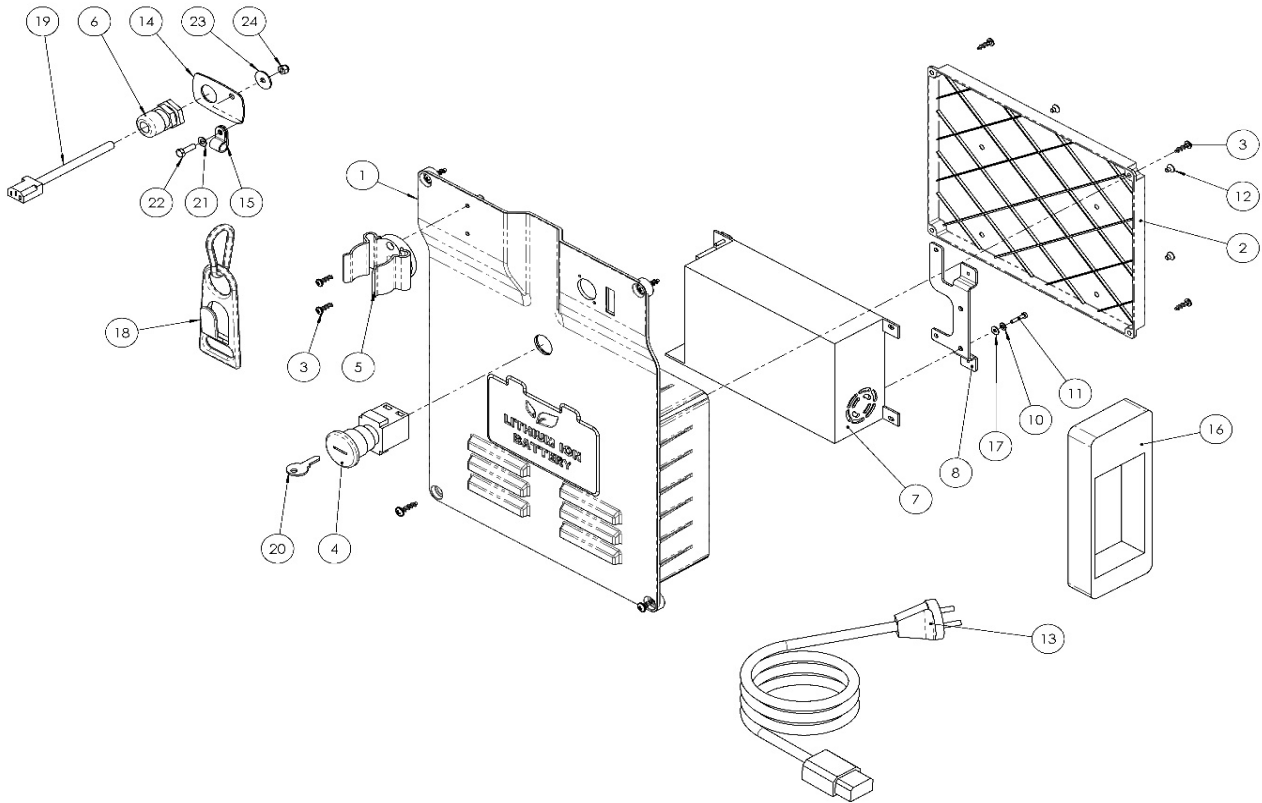
ID	Part number	Description	Quantity
1	FSC0630	Tank - 40 litres	1
2	FSC0060	Elbow dn.6	2
3	FSC0080	Tank gasket	2
4	FSC0550	Water level hose	1
5	FSC0510	Water level sensor	1
6	FSC0510	Drain hose	1
7	FSC0340	Metal clamp 32x50	1
8	FSC0120	Suction hose connector	1
9	FSC0690	Screw TC 4x16	9
10	FSC0130	Squegee hose connector	1
11	FSC0280	Wire Mount 3/8"	3
12	FSC0990	Tank fixing plate	4
13	FSC0710	Screw TC 5x16	9
14	FSC0280	Filling water filter	1
15	FSC0630	Closure hook	1
16	FSC0270	Cap gasket	1
17	FSC0970	Counterweight	1
18	FSC0620	Hinge	2
19	FSC0650	Cap 40 litres	1
20	FSC0190	Washer 5x20	5
21	FSC0750	Screw TS 4x18	8
22	FSC0740	Screw TS 3x12 - A2	6
23	FSC0270	Spacer 6.2x10x5	2
24	FSC0300	Stainless steel cable	1
25	FSC0100	Elbow "L" 3/8" conic d.12	1
26	FSC0500	Self-threading screw 2,2x13	10
27	FSC0160	Washer 6	4
28	FSC0820	Hexagon screw M6x30	4

2.0	FSC0430	Lithium Battery pack 48V 11,3A	SD50
------------	----------------	---------------------------------------	-------------



ID	Part number	Description	Quantity	
1	FSC0070	Battery holder	1	
2	FSC0080	Battery cover	1	
3	FSC0690	Screw TC 4x16	6	
4	FSC0680	Emergency push button	1	
5	FSC0080	Hose support 39-43	1	
6	FSC0650	Battery charger plug	1	
7	FSC0730	Screw for plastic TS 2.5x10	2	
8	FSC0660	Momentary switch 0-1	1	
9	FSC0670	Cable locker PG 13.5	1	
10	FSC0710	Screw TC 5x16	4	
11	FSC0160	Washer 6	4	
12	FSC0710	Switch cover	1	
13	FSC0790	Key for mushroom push button	1	
	FSC0430	Lithium Battery pack 48V 11,3A	1	£1664.99
	FSC0750	Battery charger 110/230V - 50/60Hz	1	300,00

2.0	FSC0810	Switching assembly 110-230Vac 48Vdc 17Amps	SD50
------------	----------------	---	-------------



ID	Part number	Description	Quantity
1	FSC0070	Battery holder	1
2	FSC0080	Battery cover	1
3	FSC0690	Screw TC 4x16	6
4	FSC0680	Emergency pushbutton	1
5	FSC0080	Hose support 39-43	1
6	FSC0670	Cable locker PG 13.5	2
7	FSC0890	Switching power supply 48VDC-17A	1
8	FSC1500	Power switching holder	2
9	FSC0710	Screw TC 5x16	4
10	FSC0050	Spring washer d.4	3
11	FSC0840	Hexagon screw M3x18	3
12	FSC0900	Countersunk screw M4x6	4
13	FSC0720	Power cord L=15m + IEC plug + Schuko plug	1
14	FSC1430	Tearproof plate	1
15	FSC0280	Wire Mount 3/8"	1
16	FSC0550	Gasket for switching	1
17	FSC0280	Washer 3x9	3
18	FSC0880	Tearproof set	1
19	FSC0800	Power cord L=330mm + IEC plug	1
20	FSC0790	Key for mushroom pushbutton	1
21	FSC0240	Washer d.5	1
22	FSC0210	Hexagon screw M5x16	1
23	FSC0190	Washer 5x20	1
24	FSC0220	Selflocking nut M5	1
FSC0810 Switching assembly 110-230Vac 48Vdc 17Amps			1

