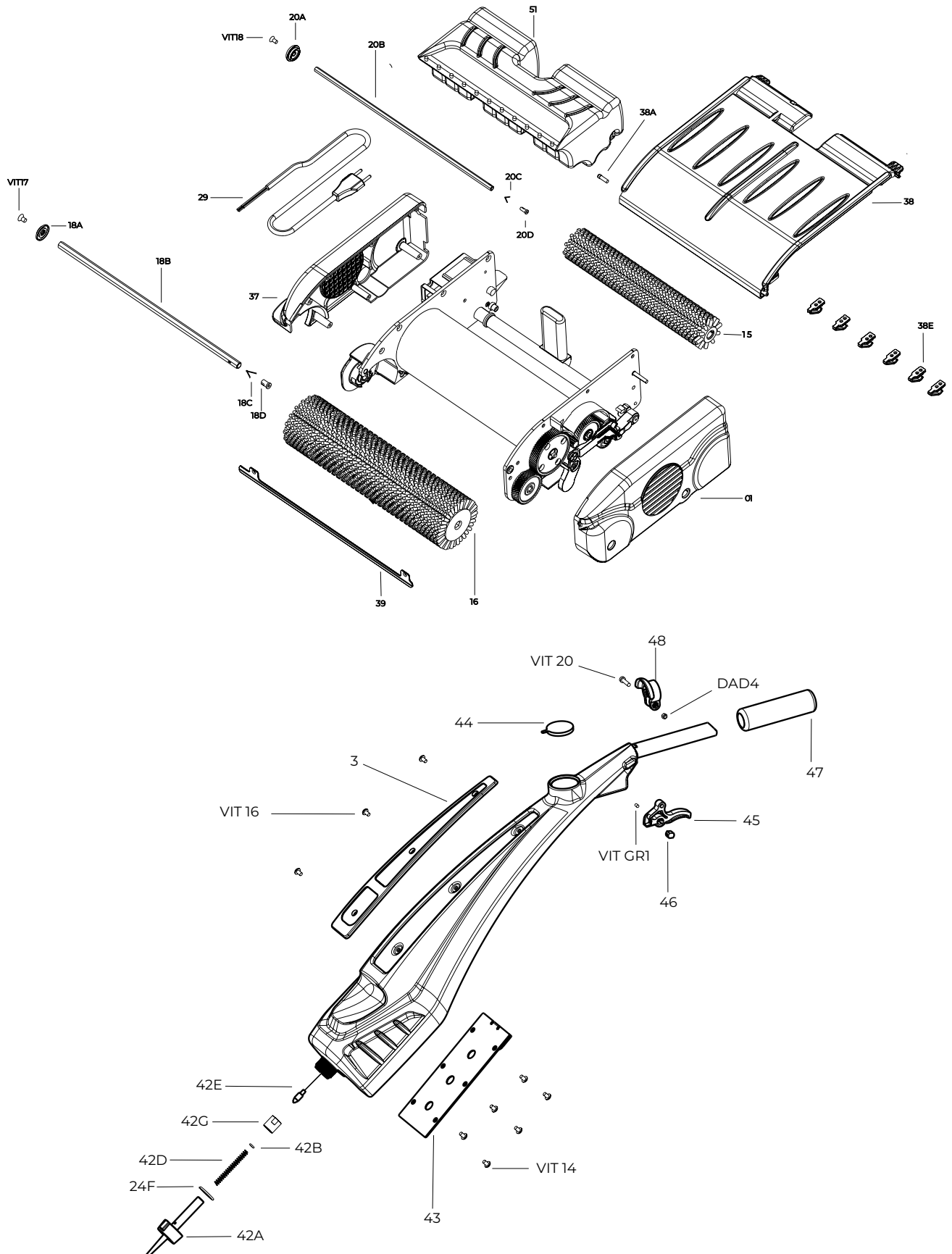


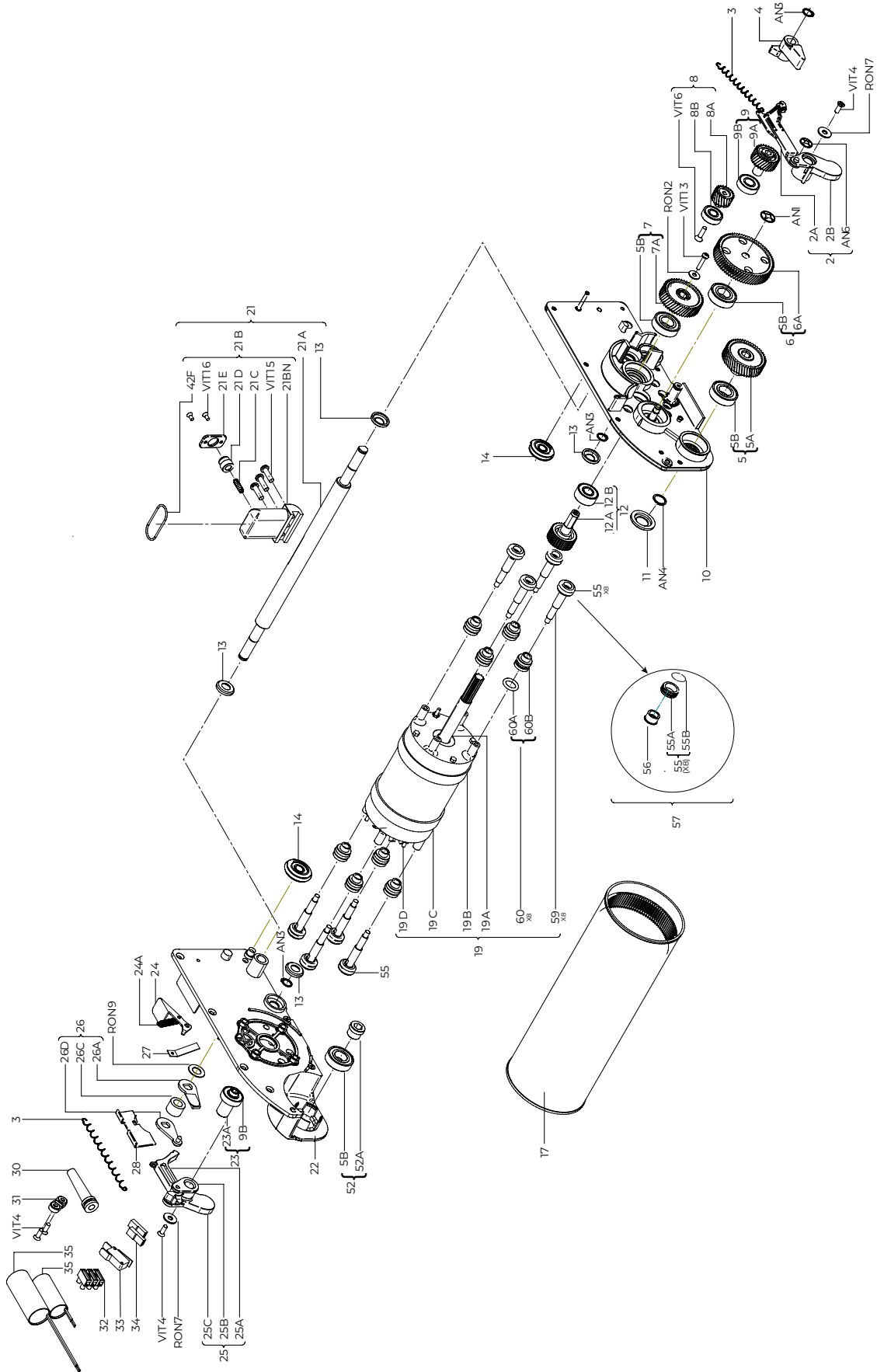
# Victor Hyperglide 350

Mains V-H9816



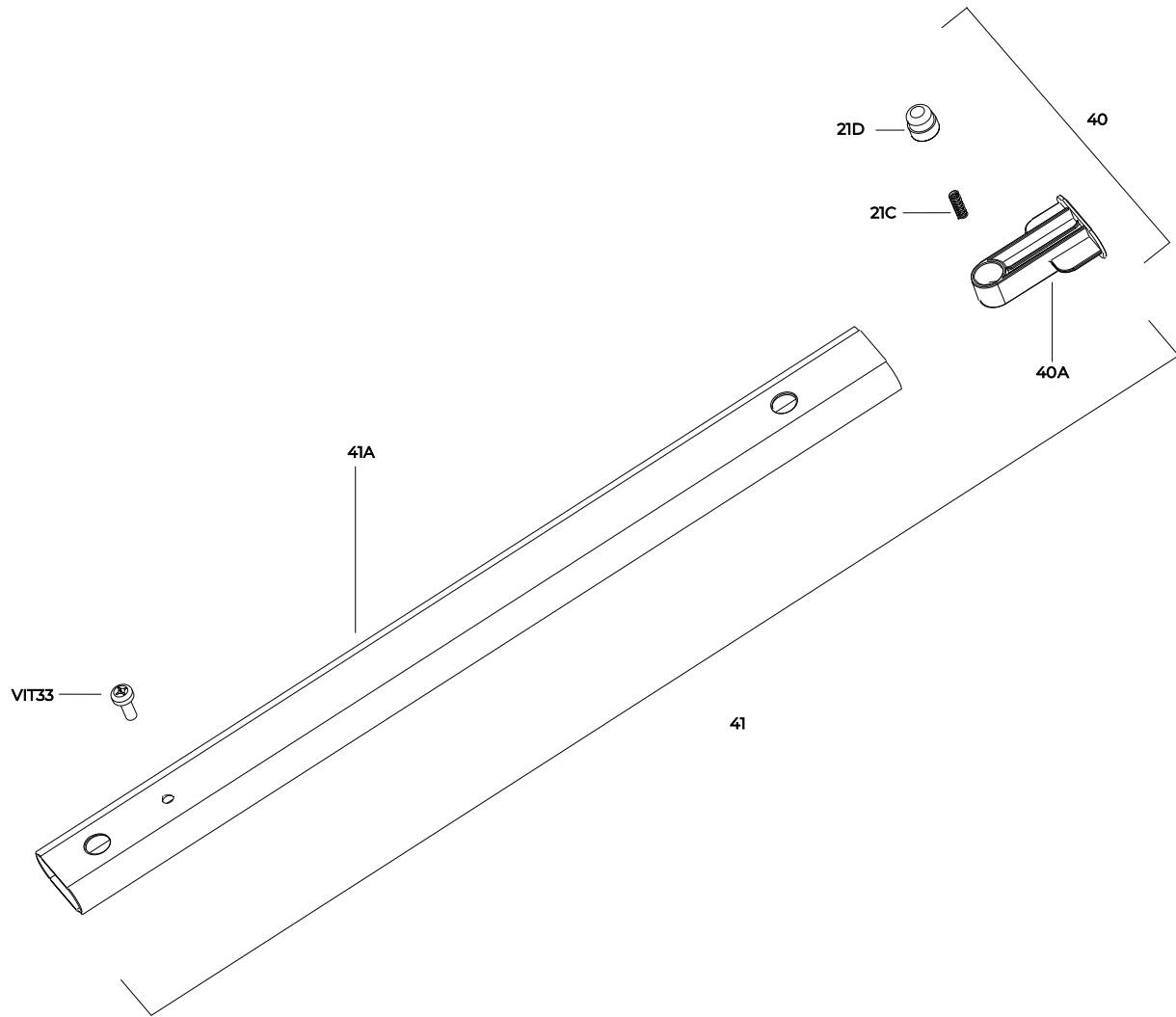
# Victor Hyperglide 350

Mains V-H9816



# Victor Hyperglide 350

Mains V-H9816



# Victor Hyperglide 350

## Mains V-H9876

| Diagram No. | Item Code  | Item Description                                 |
|-------------|------------|--|
| 1           | FSH1014    | Hyperglide Side Case Complete - Right            |
| 2           | FSH1031    | <b>Hyperglide Bearing Packer</b>                 |
| 3           | FSH1028    | Hyperglide Wheel Release Spring                  |
| 4           | FSH1044    | Hyperglide Brush Left Cam                        |
| 5           | FSH1015/5A | Hyperglide Gear Cog With Bearing - 5A            |
| 6           | FSH1015/6A | Hyperglide Gear Cog With Bearing - 6A            |
| 7           | FSH1015/7A | Hyperglide Gear Cog With Bearing - 7A            |
| 8           | FSH1015/8A | Hyperglide Gear Cog With Bearing - 8A            |
| 9           | FSH1015    | Hyperglide Gear Cog With Bearing                 |
| 10          | FSH1002    | Hyperglide Outer Casing (Left)                   |
| 11          | FSH1059    | Hyperglide Bearing Gasket                        |
| 12          | FSH1019    | Hyperglide Internal Cog c/w Bearing For Spindle  |
| 13          | FSH1060    | Hyperglide Bearing Gasket                        |
| 14          | FSH1018    | Hyperglide Rear Wheel                            |
| 17          | FSH1020    | Hyperglide 350 Conveyor Roller                   |
| 18          | FSH1047    | Hyperglide Hexagonal Brush Spindle 10mm Complete |
| 19          | FSH1001    | Hyperglide Motor 240v                            |
| 20          | FSH1045    | Hyperglide Hexagonal Brush Spindle 7mm Complete  |
| 21          | FSH1016    | Hyperglide 350 Axle Complete                     |
| 22          | FSH1034    | Hyperglide Inner Side Case (Right)               |
| 23          | FSH1033    | Hyperglide Brush Carrier and Bearing             |
| 24          | FSH1039    | Hyperglide Pedal with Pin - Starting Plate       |
| 24 A        | FSH1038    | Hyperglide Pedal Traction Spring                 |
| 25          | FSH1030    | Hyperglide Complete Undercarriage Right          |
| 26          | FSH1043    | Hyperglide Right Cam For Pedal Stop Complete     |
| 27          | FSH1036    | Hyperglide Spring For Harmonic Steer             |
| 28          | FSH1035    | Hyperglide Pedal Stop Plate                      |
| 30          | FSH1026    | Hyperglide Cable Passing Sleeve                  |
| 31          | FSH1025    | Hyperglide Cable Stop Clip                       |
| 32          | FSH1021    | Hyperglide Nylon Terminal Board                  |
| 33          | FSH1024    | Hyperglide Micro Switch                          |
| 35          | FSH1023/8  | 8mfd Capacitor For Hyperglide 350                |
| 36          | FSH1023/4  | 4mfd Capacitor For Hyperglide 350                |
| 35 & 36     | FSH1023    | Hyperglide Capacitor Set (4mfd + 8mfd)           |
| 37          | FSH1049    | Hyperglide Left Side Casing Complete Inner       |
| 38          | FSH1008    | Hyperglide 350 Cover Complete                    |
| 39          | FSH1006/30 | Hyperglide 300 Recovery Tank Steel Strip         |
| 41          | FSH1007    | Hyperglide Aluminium Handle                      |
| 42          | FSH1056    | Hyperglide Solution Valve                        |
| 42E         | FSH1009    | Hyperglide Tank Solution Release Cable           |
| 43          | FSH1058    | Hyperglide 350 Recovery Tank Steel Strip         |
| 44          | FSH1003    | Hyperglide Tank Cap                              |
| 45          | FSH1055    | Hyperglide Fluid Lever                           |
| 47          | FSH1057    | Hyperglide Handle Rubber Grip                    |
| 48          | FSH1054    | Hyperglide Cable Lock Water Tank                 |
| 50          | FSH1004    | Hyperglide Tank Assy Complete                    |
| 51          | FSH1005    | Hyperglide 350 Dirty Water Recovery Tank         |
| 52          | FSH1032    | Hyperglide Brush and Holder Bearing              |
| 55          | FSH1029    | Hyperglide Roll Spin                             |
|             | FSH1010    | Hyperglide Fluid Hose                            |
| AN3         | FSH1062    | Seeger Ring A2 $\phi$ 12                         |
| AN1         | FSH1063    | Lock Seeger Ring A2 KS8                          |
| AN4         | FSH1064    | Seeger Ring A2 $\phi$ 16                         |
| VIT13       | FSH1065    | Self Tapping Screw TC+A2 4,2X25                  |
| VIT4        | FSH1066    | Self Tapping Screw TPS+ZN 4,8X16                 |
| RON7        | FSH1067    | Flat Washer A2 6X6x18                            |