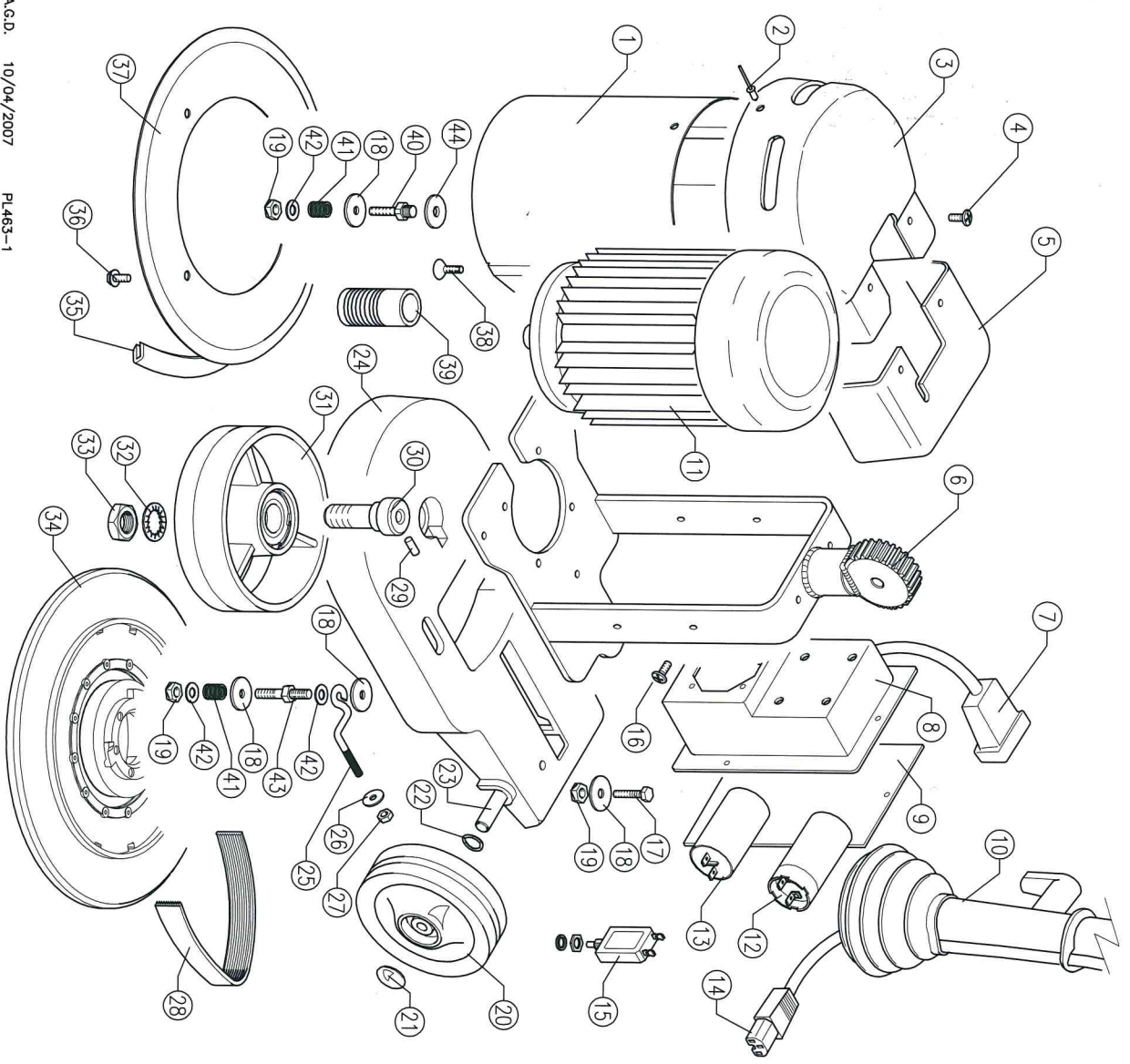




# DOWDING & PLUMMER Ltd.

CALTHORPE HOUSE, STOCKFIELD ROAD,  
 BIRMINGHAM B27 6AP - ENGLAND  
 TEL: 0121-706-5771 FAX: 0121-708-1052  
 www.victorfloorcare.com



ITEM	PART No.	QTY.	DESCRIPTION
1	D1296	1	MOTOR COWL
2	SBI7087	3	BLACK RIVET
3	D1297	1	MOTOR COVER
4	-	2	M6x16 PAN HEAD SCREW
5	D1298	1	MOTOR COVER REAR
6	D1301	1	MOTOR MOUNTING FRAME
7	D1214	1	SOCKET LEAD
8	D1245	1	CAPACITOR BOX
9	D1313	1	CAPACITOR BOX COVER
10	AVH1209	1	SPRITE 300 ADJUSTABLE HANDLE
11	AYM4002	1	SPRITE 300 750w MOTOR ASSEMBLY
12	SBI5227	1	BOMFD START CAPACITOR
13	SBI7211	1	20 TO 30MFD RUN CAPACITOR
14	D1218	1	DOWNLEAD AND PLUG ASSEMBLY
15	SBI5499	1	CIRCUIT BREAKER 7AMP
16	-	4	M6x12 BLACK PANHEAD SCREW
17	-	1	M8x30 COUNTERSUNK HEAD SOCKET SCREW
18	A1378	1	WASHER 30x9x2.5
19	-	4	M8 BINX NUT
20	D1124	2	125mm WHEEL - BLACK
21	SBI3005/A	2	STARLOCK CAP
22	SBI3666	2	WAVED WASHER
23	A1815	1	SPRITE 300 WHEEL AXLE
24	B1019/G	1	SPRITE 300 BASE CASTING
25	A1680	1	SPRITE 300 CRANKED EYEBOLT
26	-	1	M6 WASHER
27	-	1	M6 NUT
28	SBI3356	1	POLY VEE DRIVE BELT 220 J 8
29	SBI5550	1	SELOCK PIN
30	A1674	1	CENTRE FEED PULLEY BOLT
31	AYP1015	1	157mm DRIVE PULLEY
32	-	1	M20 SHAKEPROOF WASHER
33	-	1	M20 HALF NUT
34	VB30111	1	300 CENTREFLEX DRIVE BOARD
35	A1308/C/BL	1	SPRITE 300 BUFFER RING BLACK
36	-	3	M6x12 TAPITTE SCREW
37	A1683/GH	1	SPRITE 300 BRUSH COVER
38	-	4	M6x16 COUNTERSUNK HEAD SOCKET SCREW
39	D0989	1	26mm S300 MOTOR PULLEY
40	D1310	2	MOTOR STUD
41	A2132	3	MOTOR STUD SPRING
42	-	2	M8 PLAIN WASHER
43	A1223	1	M8 MOTOR STUD
44	-	2	M10x30 WASHER

WHEN ORDERING PLEASE QUOTE PART No. AND PART DESCRIPTION

2007 **Victor** RANGE VR-S300 SPRITE 300 STANDARD SPEED c/w DRIVE BOARD

A.G.D. 10/04/2007 PL463-1